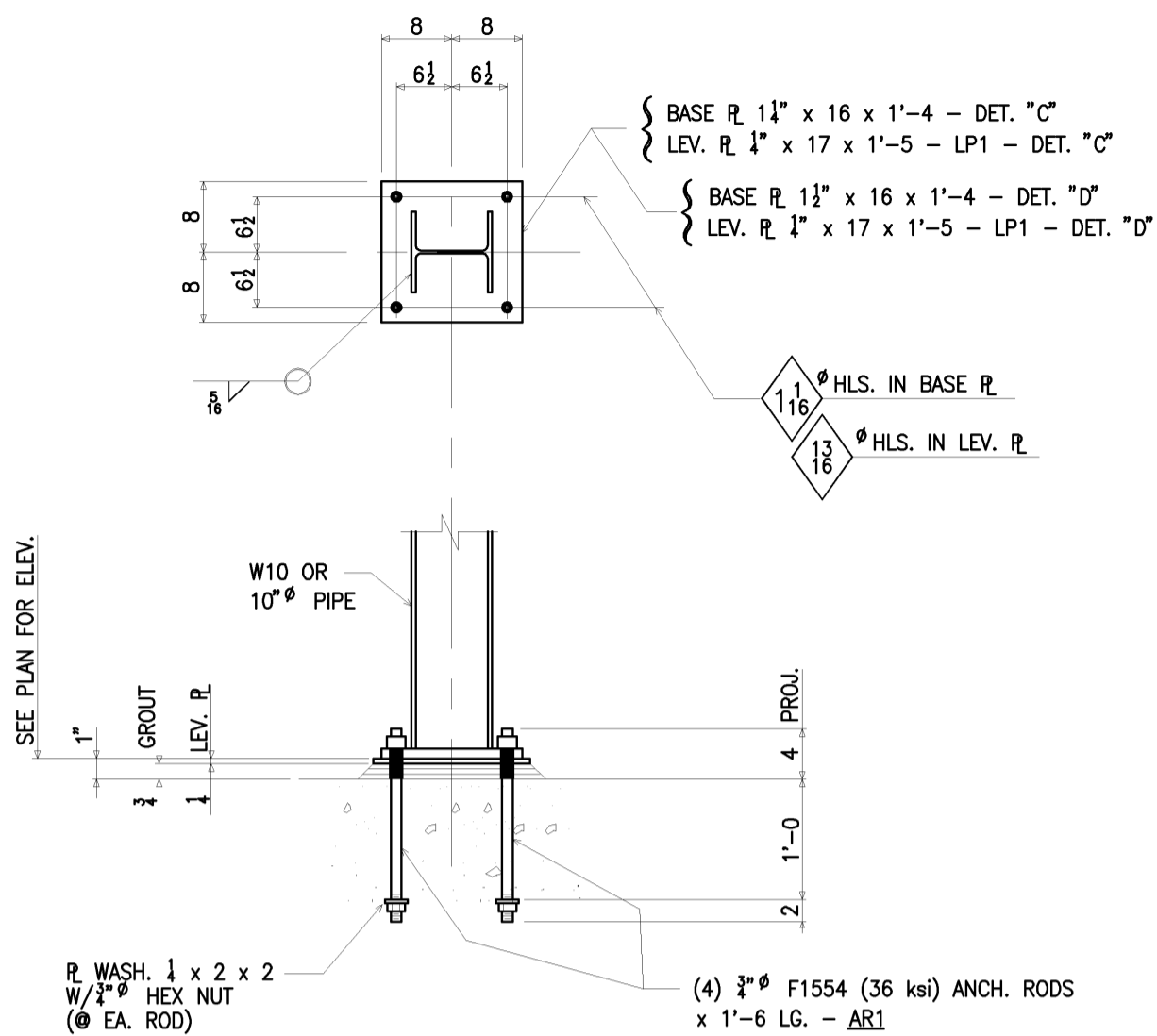


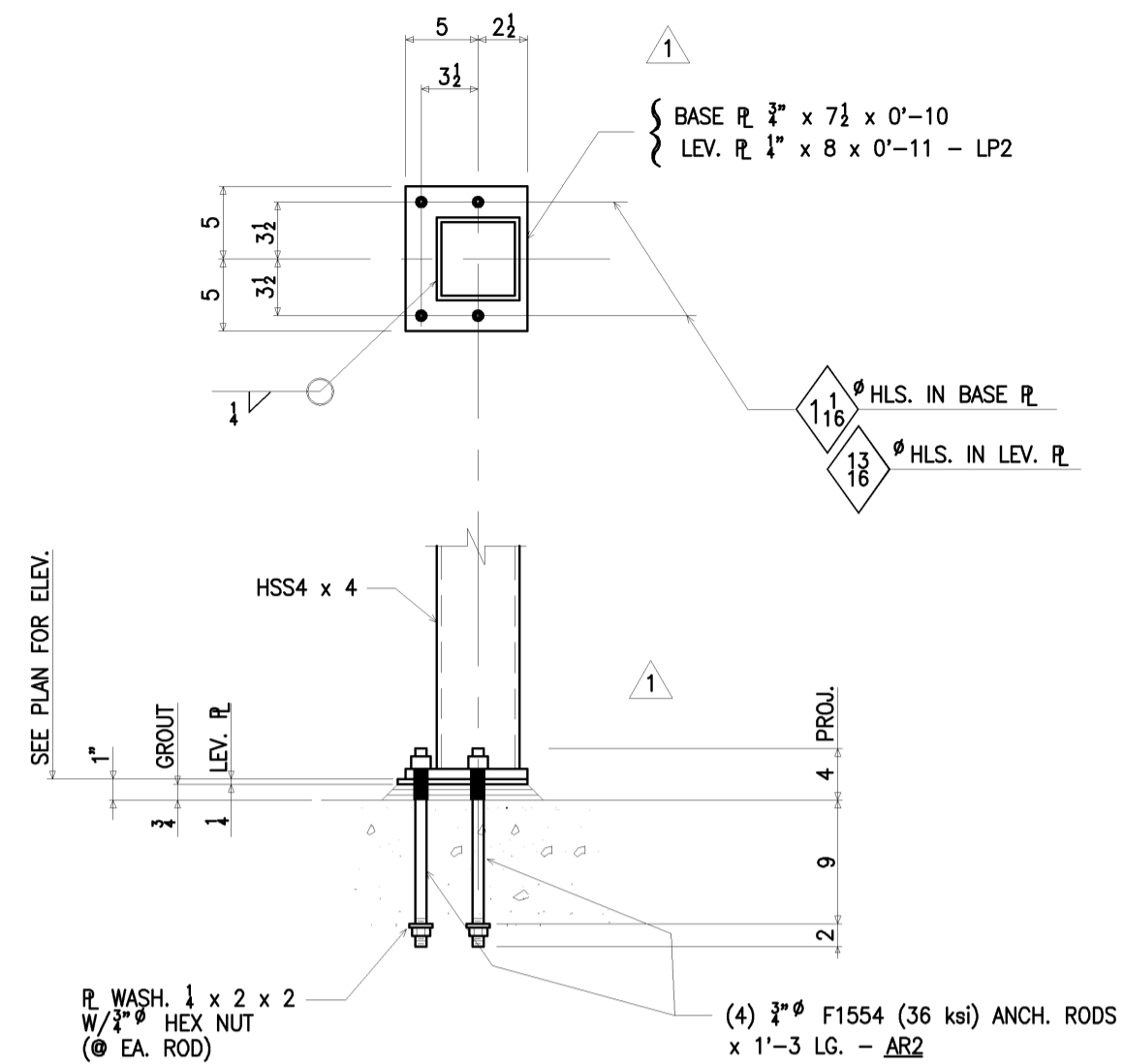
COL. BASE DETAIL **A**
(12 REQ'D.)

COL. BASE DETAIL **B**
(17 REQ'D.)

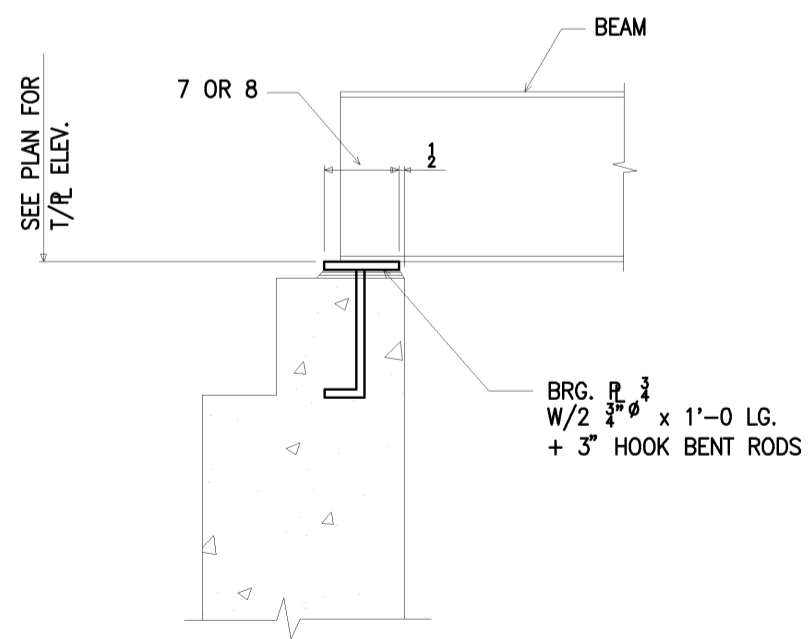


COL. BASE DETAIL **C**
(2 REQ'D.)

COL. BASE DETAIL **D**
(9 REQ'D.)



COL. BASE DETAIL **E**
(2 REQ'D.)



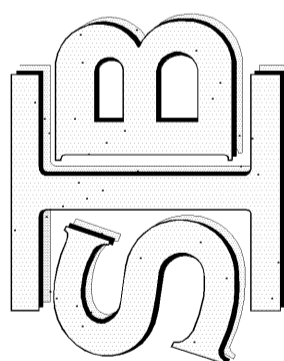
SECTION 1



GENERAL NOTES:					
WF MAT'L	-	ASTM A992			
ALL OTHER MAT'L	-	ASTM A36			
TUBING	-	ASTM A500, GR B			
PIPE	-	ASTM A53 or A501 GR B			
BOLTS	-	3/8" DIA. A325			
HOLES	-	3/8" DIA. U.N.O.			
WELD	-	E70XX ELECTRODES (LOW HYDROGEN FOR GRADE 50 STEEL)			
PAIN	-	SEE DRAWING #1 (EXCLUDE PAINT ON GALV.&NON-FERR. MATERIAL)			
SURFACE PREP	-	SSPC-SP 2			

NO.	DESCRIPTION	DATE	BY	REVISIONS
1P	SZOKE - REFERENCE	9/10		
4P	NORTH STAR - FIELD	9/10		
1P	SZOKE - REFERENCE	7/28		
4P	NORTH STAR - FIELD	7/28		
1P	SZOKE - REFERENCE	7/12	2	PER APPR'L RET. OF DETAILS
4P	NORTH STAR - APPROVAL	7/12	1	PER APPROVAL RETURN
QUAN	DISTRIBUTION	DATE	#	DESCRIPTION

PRINT RECORD		REVISIONS	
JOB NAME: COORDINATED HEALTH SYSTEMS LOCATION: HIGHLAND AVENUE CAMPUS CUSTOMER: NORTH STAR CONST. MGMT. DESIGNER: BONSAI SHAFFERMAN/D. SCOTT BIGLEY DRAWN BY: J.B.LONG, INC. CHECKED BY: CEP DATE: 7/8/04 RJS 04-38 7/12/04 JOB# 1499 DRAWING# AR3			



SZOKE BROTHERS, INC.
 STRUCTURAL STEEL & MISC. IRON-FABRICATION & ERECTION
 8649 PAINT MILL ROAD, SLATINGTON, PA 18080 (610) 760-0588 FAX (610) 760-9066