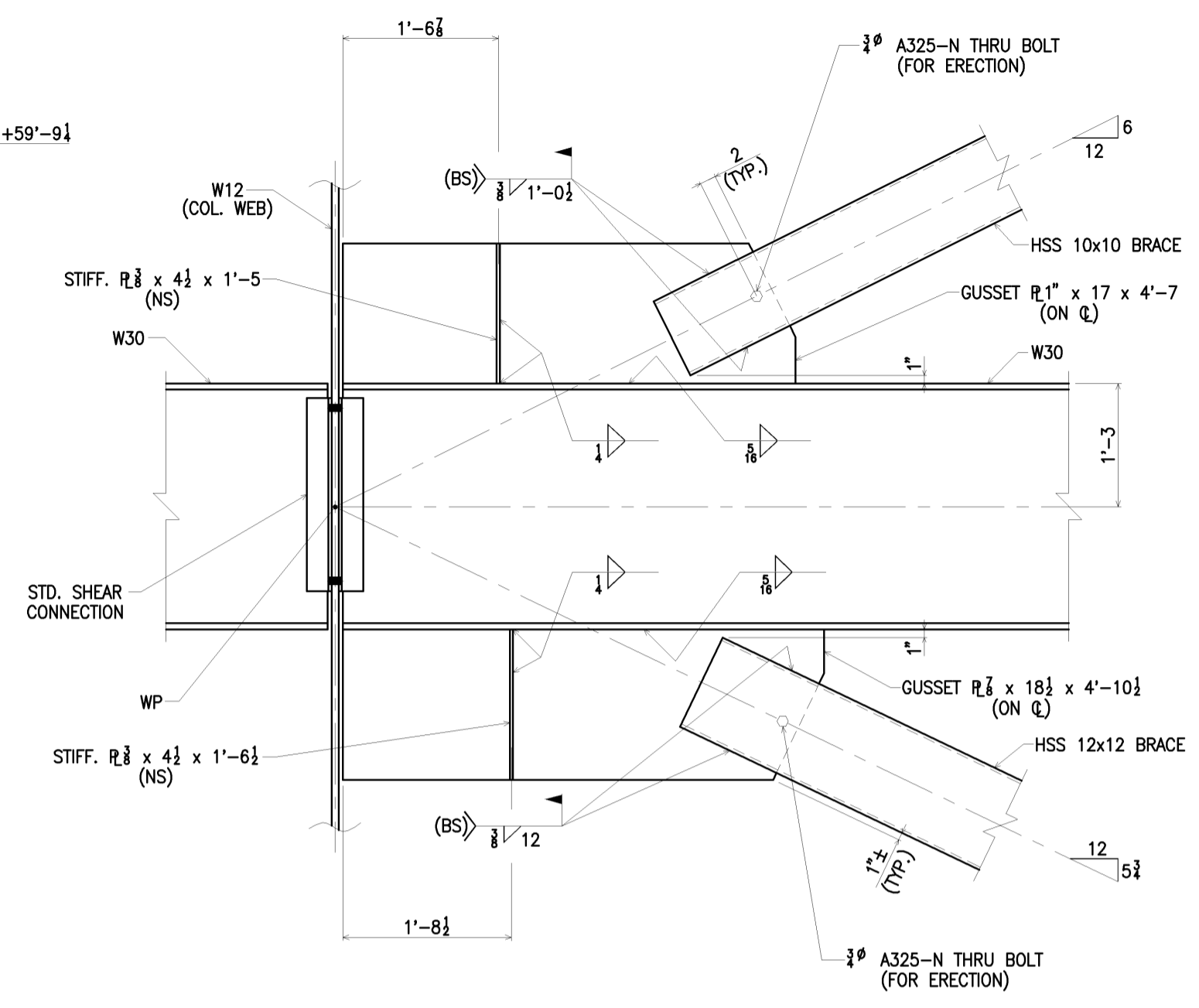
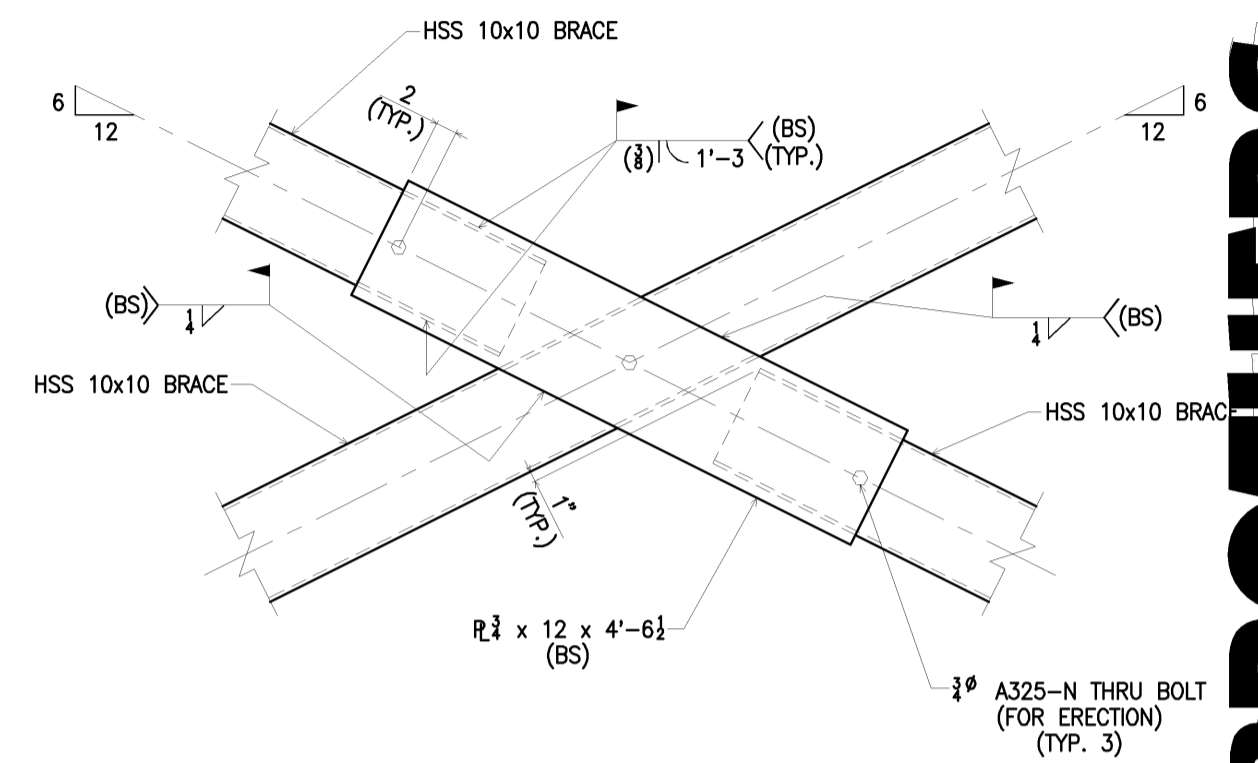


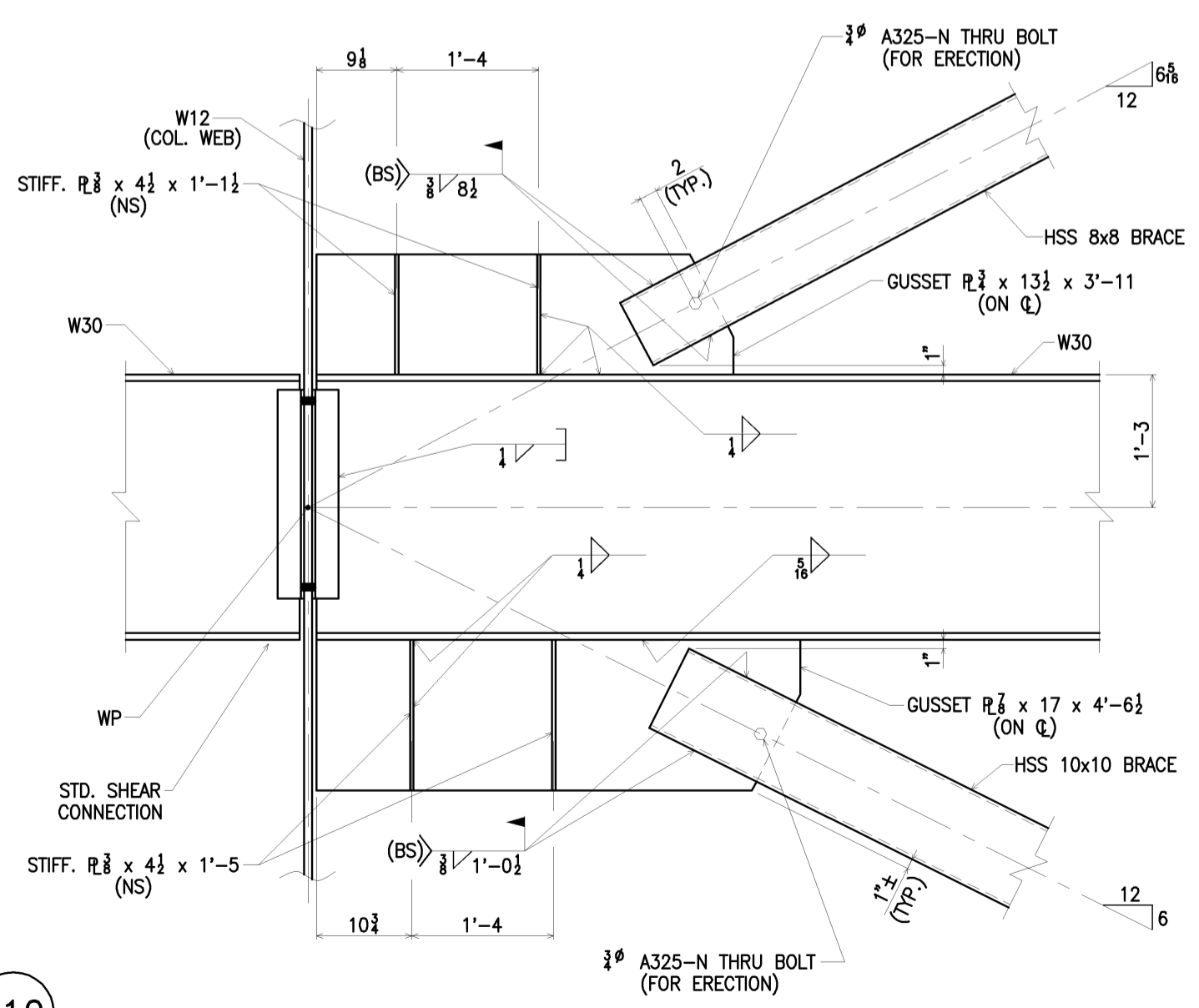
**BRACING ELEVATION ALONG COL. LINE "6"**  
 1. (\*\*) INDICATES THE MAXIMUM RESULTANT LOADS FROM ANALYSIS.  
 LOADS MAY BE COMPRESSIVE OR TENSILE.



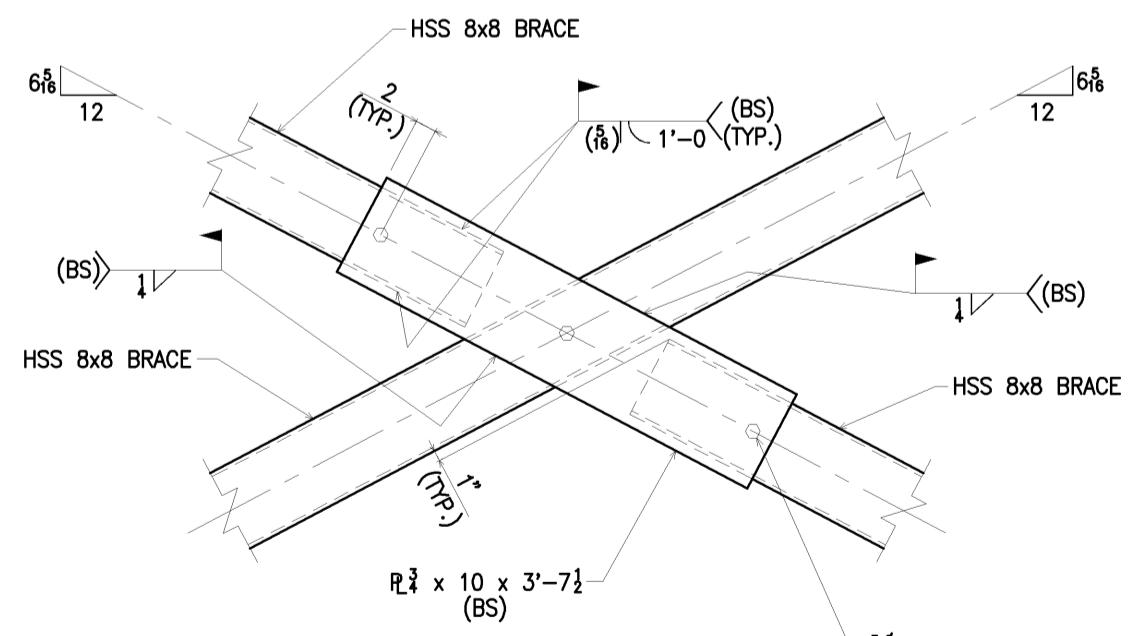
**DETAIL "C"**



**DETAIL "D"**



**DETAIL "E"**



**DETAIL "F"**

E10



GENERAL NOTES:			
WF MAT'L	-	ASTM A992	
ALL OTHER MAT'L	-	ASTM A36	
TUBING	-	ASTM A500, GR B	
PIPE	-	ASTM A53, GR B	
BOLTS	-	1" DIA. A325	
HOLES	-	1/8" DIA. U.N.O.	
WELD	-	E70XX ELECTRODES (LOW HYDROGEN FOR GRADE 50 STEEL)	
PAIN	-	NONE	
(EXCLUDE PAINT ON GALV.&NON-FERR. MATERIAL)			
SURFACE PREP	-	SSPC-SP 3	

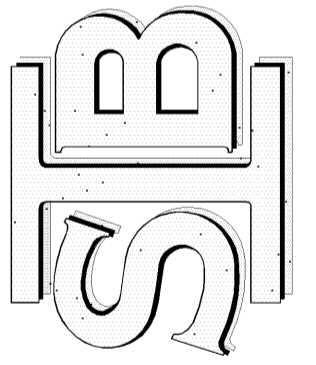
  

QUAN	DISTRIBUTION	DATE	#	DESCRIPTION	DATE
1P	FIELD (LVE)	3/14/05			
1P	SZOKE	3/14/05			
4P	APPROVAL	10/27/04			
1P	SZOKE	10/27/04			
4P	APPROVAL	10/20/04		ADDED PC MARKS FOR REMAINDER OF SEQ. 2	10/27/04
1P	SZOKE	10/20/04			

PRINT RECORD		REVISIONS	
JOB NAME: OLYMPUS AMERICA, INC. NEW HEADQUARTERS			
LOCATION: CENTER VALLEY, PA			
CUSTOMER: ALVIN H. BUTZ, INC.			
DESIGNER: EWING COLE			
DRAWN BY: J.B.LONG, INC		CHECKED BY: RJS	DATE: 9/16/04
DSR 04-60			9/28/04
JOB# 1510		DRAWING#	E10

**SZOKE BROTHERS, INC.**  
 STRUCTURAL STEEL & MISC. IRON-FABRICATION & ERECTION  
 8649 PAINT MILL ROAD, SLATINGTON, PA 18080 (610) 760-0588 FAX (610) 760-9066



1