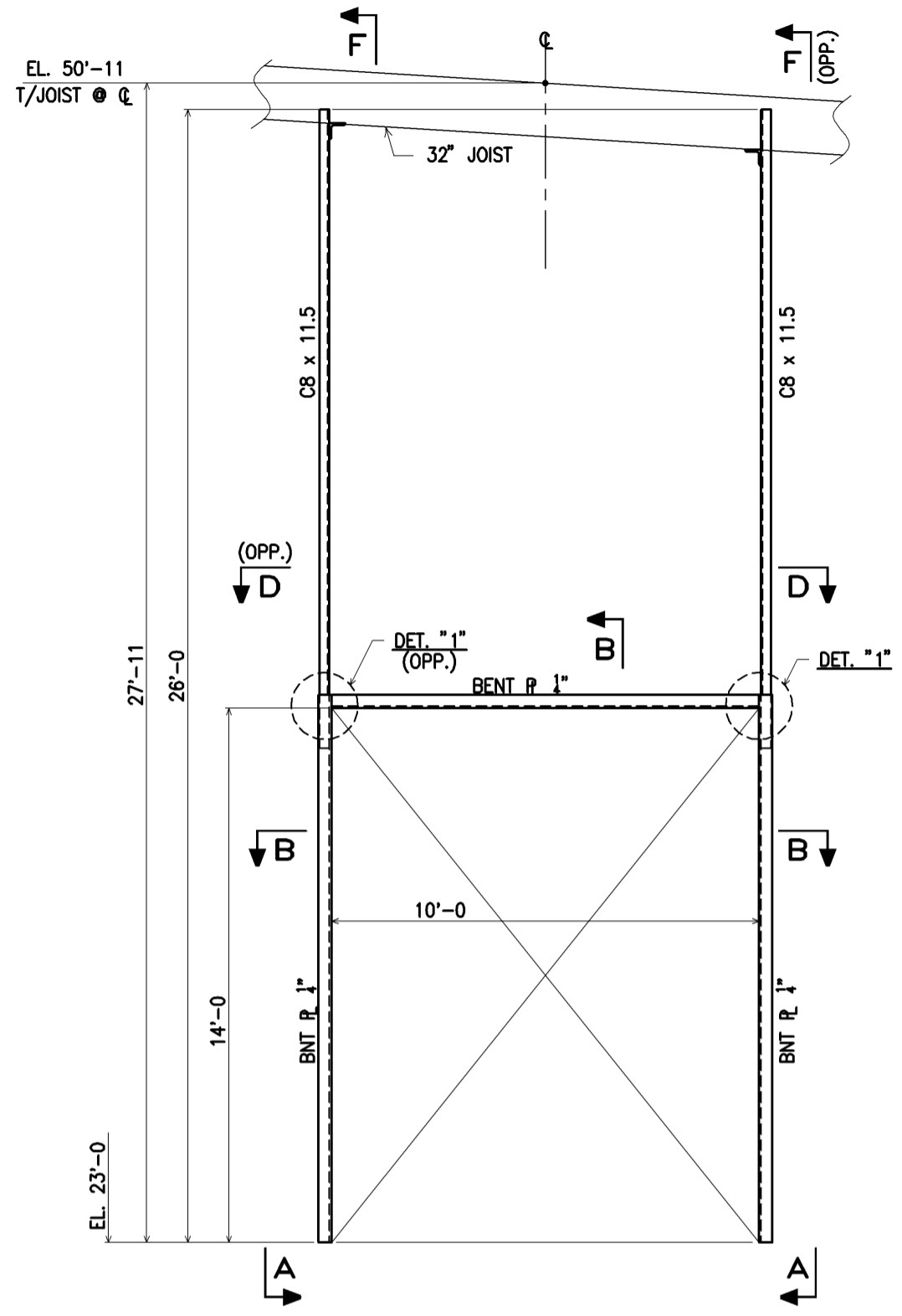
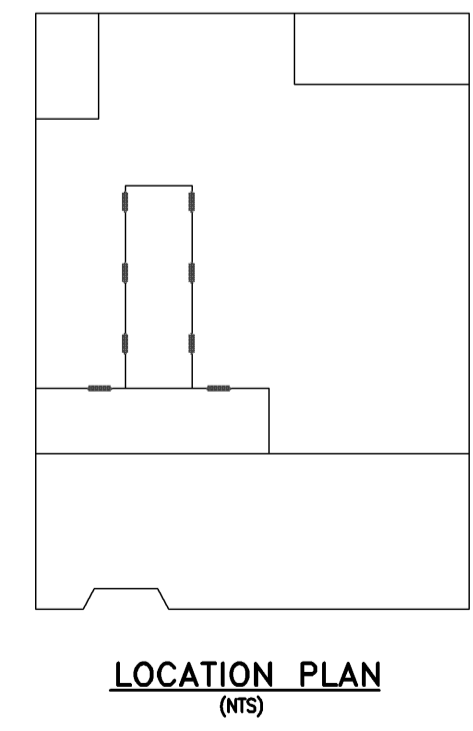
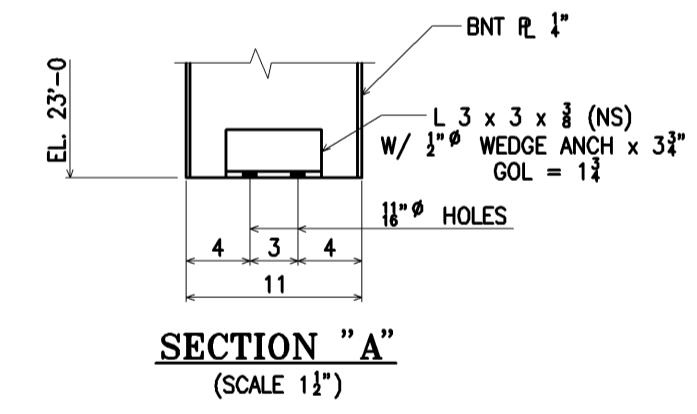
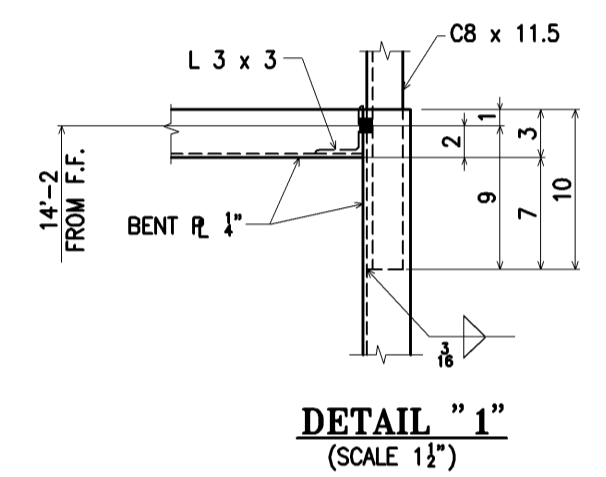
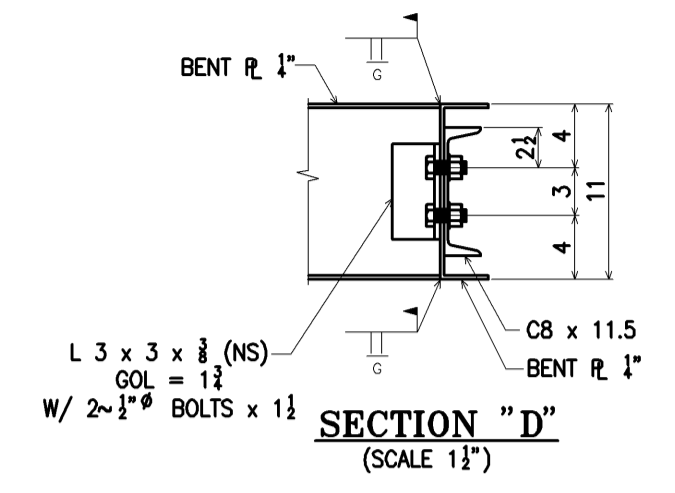


INTERIOR STEEL DOOR FRAME LOCATION PLAN
 T.O.S. EL. 51'-0 U.N. (SCALE 1/4")
 (± *'-*) FROM EL. 51'-0

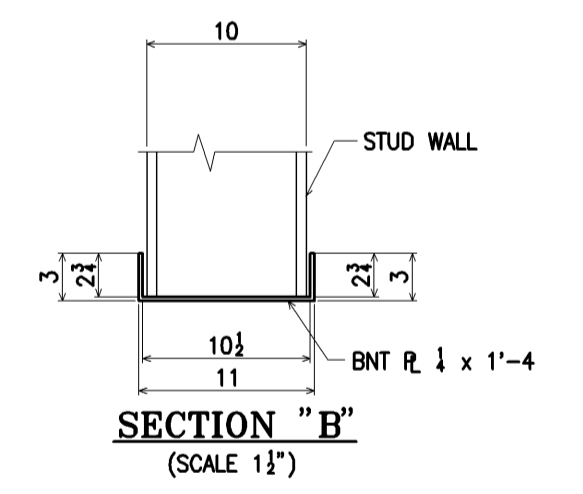
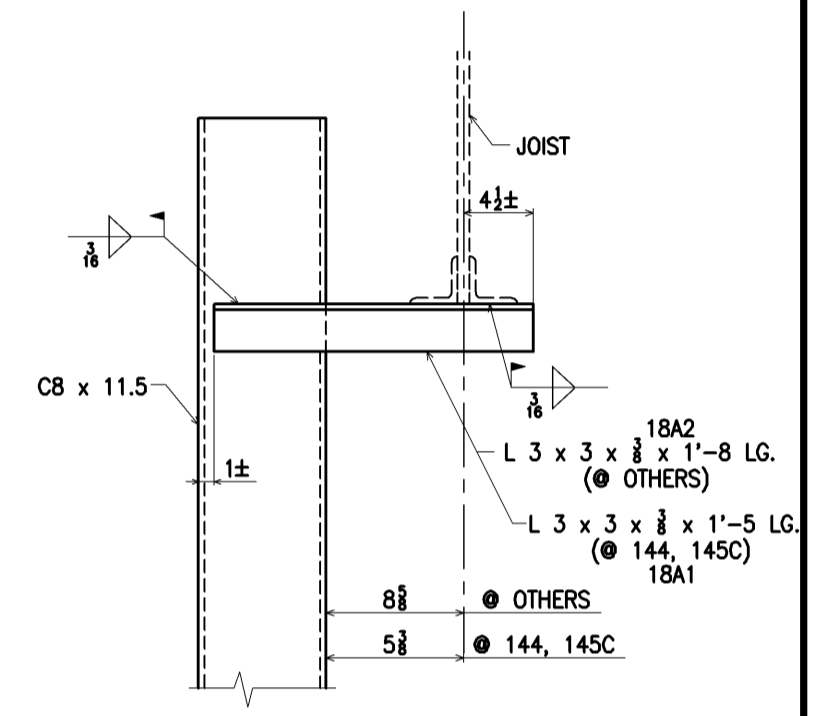


OVERHEAD DOOR FRAME CHART				
DOOR #	DIM. A	DIM. B	HEADER MARK	JAMB MARK
144	10'-0	14'-0	18H1	18J1
145C	10'-0	14'-0	18H1	18J1
153A	10'-0	14'-0	18H1	18J1
153B	10'-0	14'-0	18H1	18J1
153C	10'-0	14'-0	18H1	18J1
153D	10'-0	14'-0	18H1	18J1
153E	10'-0	14'-0	18H1	18J1
153F	10'-0	14'-0	18H1	18J1



This drawing is the property of UNITED STEEL INC. and may not be reproduced or copied in whole or in part without its permission.

BILL OF MATERIAL						
MAINMARK	SUBMARK	QTY	SECTION	LENGTH	REMARKS	PC/LN
18J1	16	PL 1/2 x 1'-4	14'-3		BENT	
	16	C8 x 11.5	12'-7			
	16	L 3 x 3 x 3/8	6			
18H1	8	PL 1/2 x 1'-4	10'-0		BENT	
	16	L 3 x 3 x 3/8	6			
18A1	4	L 3 x 3 x 3/8	1'-5		NO PAINT	
18A2	12	L 3 x 3 x 3/8	1'-8		NO PAINT	
		FIELD BOLTS				
	32	1/2" WEDGE ANCHS	3 1/2			
	32	1/2" WEDGE ANCHS	3 1/2			



REF. DWGS A100, A602

QUALITY CERTIFIED CATEGORY I & II BY THE AMERICAN INSTITUTE OF STEEL CONSTRUCTION, INC.

UNITED STEEL, INC.
 FABRICATORS & ERECTORS
 164 SCHOOL STREET
 EAST HARTFORD, CT 06108
 FAX 860-289-2908

STRUCTURAL STEEL & MISCELLANEOUS METALS

ITEM NO. 13 (8) BENT DOOR FRAMES

DESCRIPTION

REMARKS

SHIP BOLTS: 1/2" A325, 1/8" HOLES

ALL MATERIALS TO BE ASTM-A36 UN.

SHIP PAINT: 1 S/C STD. PRIMER, SURFACE PREP, DRY MILL THICK, SSPC-SP2

MASONRY ANCHORS: ALL WELDS TO BE MADE WITH ELECTRODES SERIES E70XX-LH

PROJECT: **HEXAGON METROLOGY FACILITY**
NORTH KINGSTOWN, RI

DRAWN BY: ARS 05-65, DATE: 10/25/05, CHECKED BY: CH, DATE: 11/10/05

JOB NO.: 5063, SHEET NO.: ME18

PER APPROVAL