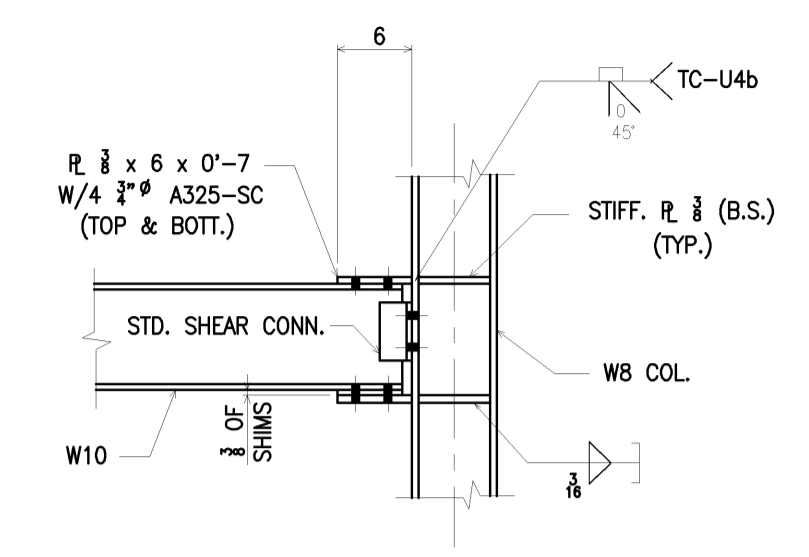
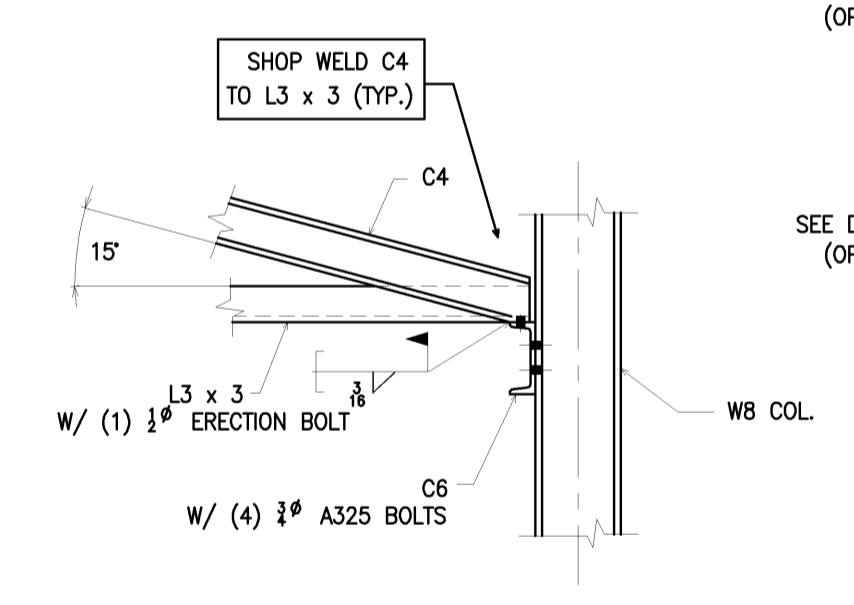


ELEVATION E-E

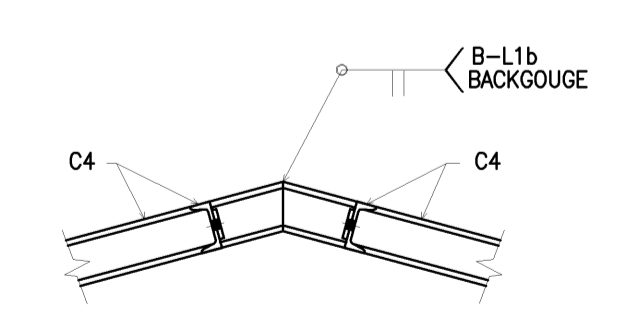


DETAIL "1"

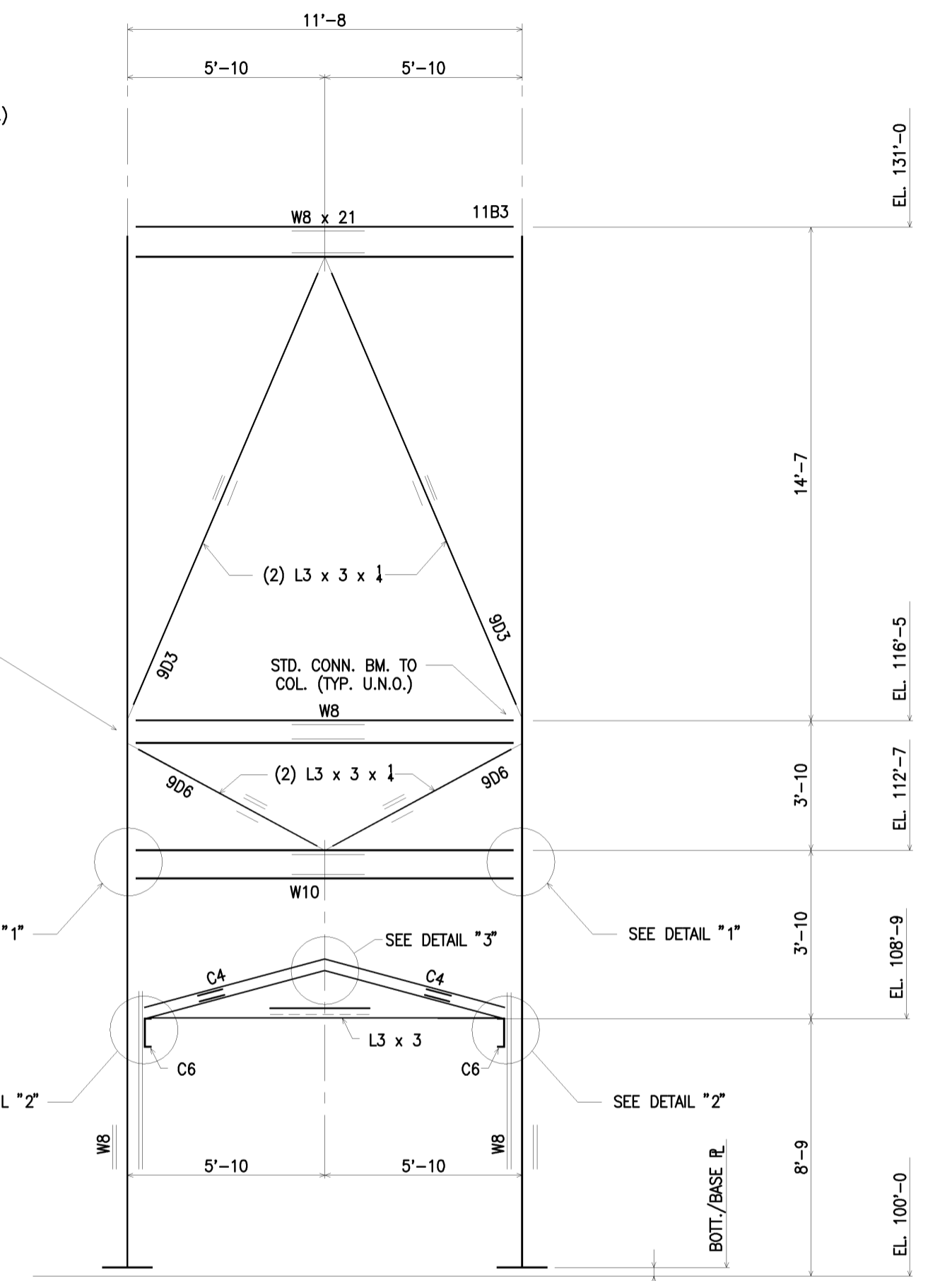
DETAILER NOTE:
CONNECT BRACING TO
BM. & COL. (TYP.
FOR ALL BRACING
CONN.)



DETAIL "2"



DETAIL "3"



ELEVATION F-F

SHOP HOLES		SHOP PAINT		QUAN.		DIST.		DATE		PRINT RECORD	
18" U.N.O.	AS PER SPECS.										

REVISIONS			
SKITCO IRON WORKS			
HAZLETON, PA. (570) 929-2100			
JOB NAME: HUNTER PANEL LLC			
LOCATION: UNIONTOWN PA			
CUSTOMER: R.E.C.			
DESIGNER: ARSA/ANDERSEN & FIENE, LTD.			
DWG. BY: J.B.LONG, INC	06-02	JOB NO.	DWG. NO.
DATE: MS	CHK'D: 1/27/08	5028	E5