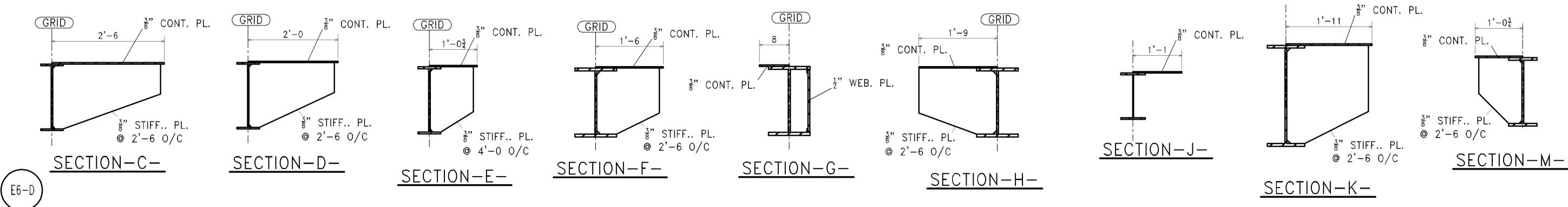


TYPICAL BEAM/COL FLG. MOMENT CONNECTIONS

PARTIAL SECOND FLOOR FRAMING PLAN

- \* TOP OF STEEL ELEVATION IS 13'-3 1/2".
- \* ● INDICATES BEAM DIRECTION MARK.
- \* ⊕ INDICATES SEQUENCE NUMBER.
- \* ◐ INDICATES MOMENT CONNECTION.



GENERAL NOTES:		PRINT RECORD		REVISIONS	
WF MAT'L -	ASTM A992	1P	SZOKE-APP'L	2/21/05	
ALL OTHER MAT'L -	ASTM A36	4P	BUTZ-APP'L	2/21/05	1
TUBING -	ASTM A500, GR B				
PIPE -	ASTM A53, GR B				
BOLTS -	3/4" DIA. A325				
HOLES -	13/16" DIA. U.N.O.				
WELD -	E70XX ELECTRODES (LOW HYDROGEN FOR GRADE 50 STEEL)				
PAINTE -	NONE				
(EXCLUDE PAINT ON GALV.&NON-FERR. MATERIAL)					
SURFACE PREP -	SSPC-SP 3				
JOB NAME: OLYMPUS AMERICA, INC. NEW HEADQUARTERS LOCATION: CENTER VALLEY, PA CUSTOMER: ALVIN H. BUTZ, INC. DESIGNER: EWING COLE		DRAWN BY: J.B.LONG, INC. HM 04-75		CHECKED BY: DATE: 2/4/05	
JOB# 1510-D		DRAWING#		E6-D	

**SZOKE BROTHERS, INC.**  
 STRUCTURAL STEEL & MISC. IRON-FABRICATION & ERECTION  
 8649 PAINT MILL ROAD, SLATINGS, PA 18080 (610) 760-0588 FAX (610) 760-9066

