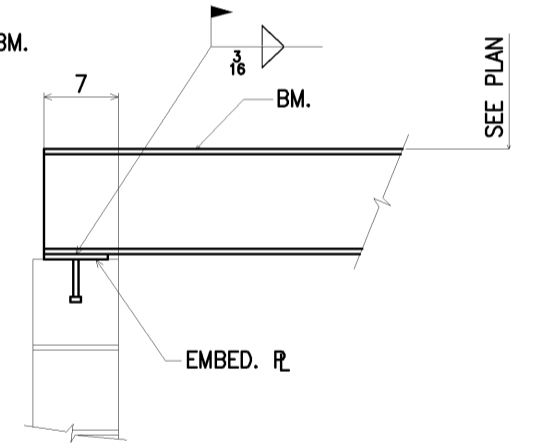
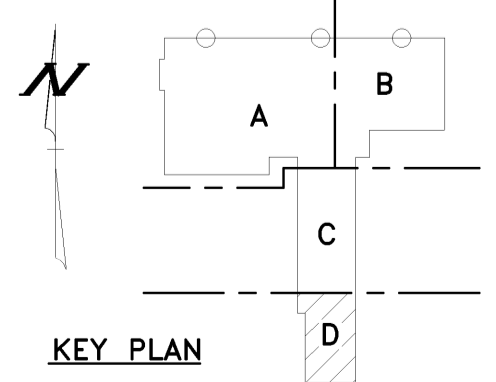


HOIST BEAM PLAN
1. BOT./STEEL EL. 24'-2 1/2



3rd FLOOR/LOW ROOF FRAMING PLAN - SEQUENCE D

1. TOP OF STEEL/BOTT. OF DECK EL. 26'-10 1/2 UNLESS NOTED THUS (+...) FROM 26'-10 1/2
2. ALL BOLTS TO BE 3/8" A325N.
3. ALL FIELD BOLTS TO BE T.C. TYPE.
4. ALL WIDE FLANGE MAT'L TO BE ASTM A992
5. [x] INDICATES NO. OF 3/8" x 3 1/2" SHEAR STUD ANCHORS. ASTM A108 GRADE 1015.
6. ▶ INDICATES MOMENT CONN. WITH FULL PENETRATION WELDS BETWEEN BM. FLANGE AND COLUMN. SEE DETAIL ON DWG. E106
7. * INDICATES REQUIRED TENSION/COMPRESSION BM TO COL. CONNECTION. SEE DETAIL ON DWG. E106
8. ALL STEEL THIS LEVEL TO BE FIREPROOFED. NO PAINT U.N.O.
9. SEE SHEET E106 FOR TYP. 3rd FLOOR/LOW ROOF DETAILS.
10. (S) INDICATES SLOPING MEMBER.
11. REACTIONS SHOWN IN PLAN ARE FACTORED LRFD VALUES.
12. FOR REACTIONS NOT SHOWN DESIGN FOR 50% OF TOTAL UNIFORM LOAD (LRFD 3rd EDITION).
13. (P) INDICATES STEEL TO RECEIVE ONE SHOP COAT PRIMER.
14. COL'S. AT GRIDS L/27, L/5/27, L/28, L/5/28, L/29, L/5/29 TO RECEIVE ONE SHOP COAT PRIMER STARTING AT EL. 25'-6" & CONTINUING TO TOP OF COL.
15. COL'S. AT GRIDS L/23, L/5/23, TO RECEIVE ONE SHOP COAT PRIMER STARTING AT EL. 25'-6" & CONTINUING TO TOP OF COL.



SHOP HOLES	SHOP PAINT	QUAN.	FIELD BOLTS

1	FIELD	10/21/03
1	APPROVAL	9/5/03
QUAN.	DIST.	DATE

NO.	GENERAL DESCRIPTION	DATE
1	GENERAL	10/6/03
	DESCRIPTION	
REVISIONS		
HENARD METAL FABRICATORS, INC. 241 E. CARTERS VALLEY RD. KINGSPORT, TN. 37660		
FOR CENTEX ROONEY CONSTRUCTION CO.		
PROJECT OKALOOSA REGIONAL AIRPORT		
OWNER OKALOOSA COUNTY BOARD OF COMMISSIONERS		
ARCH. OR ENGR. GRESHAM, SMITH, & PARTNERS		
MADE J.B. LONG, INC. DATE 8/11/03 TO APPROVAL		
CHECKED RJS DATE 8/22/03 TO SHOP TO FIELD		
CONTENTS THIS SHEET		
3rd FLOOR/LOW ROOF FRAMING PLAN SEQUENCE D		
CUSTOMER'S NUMBER	CONTRACT	SHEET
05-1200-S	03-027	E103