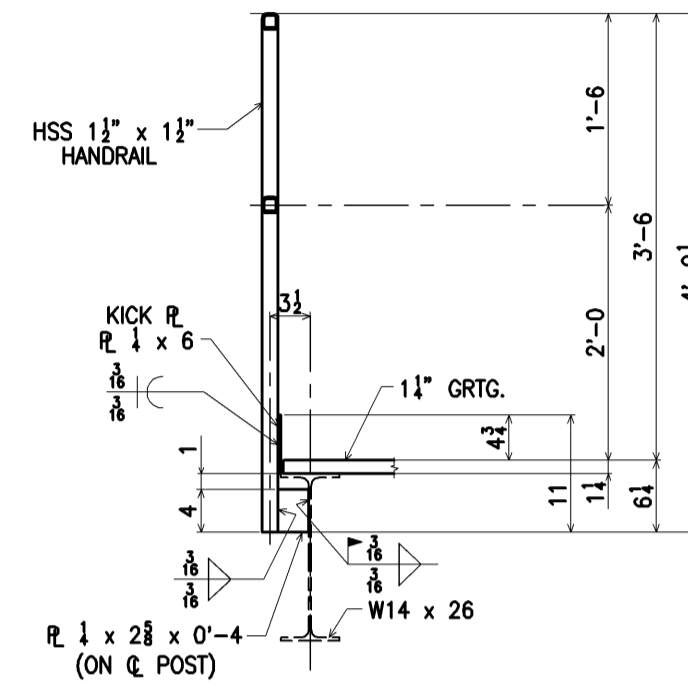
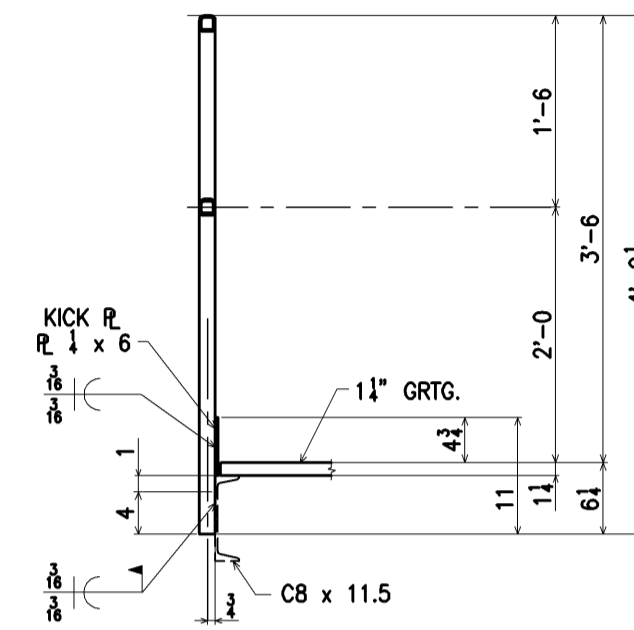


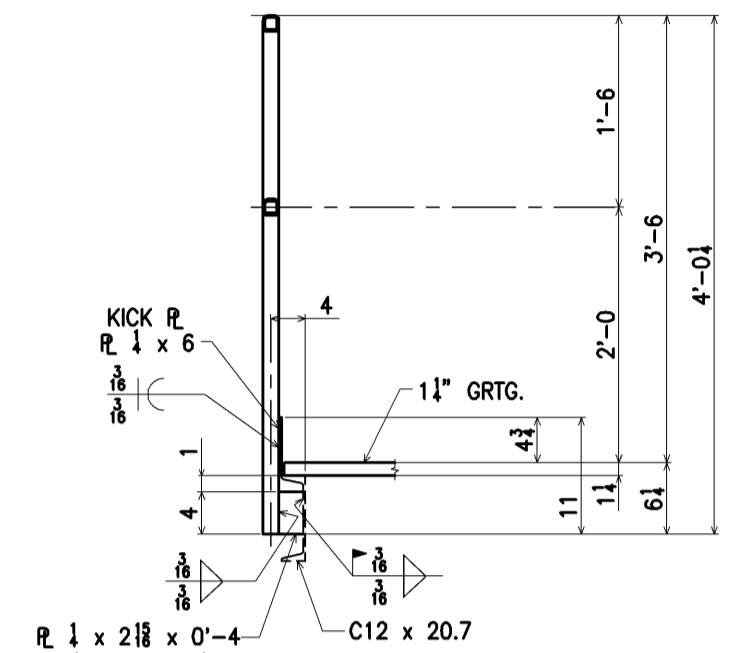
GRATING, LADDER, & RAILING PLAN @ EL. 1034'-5



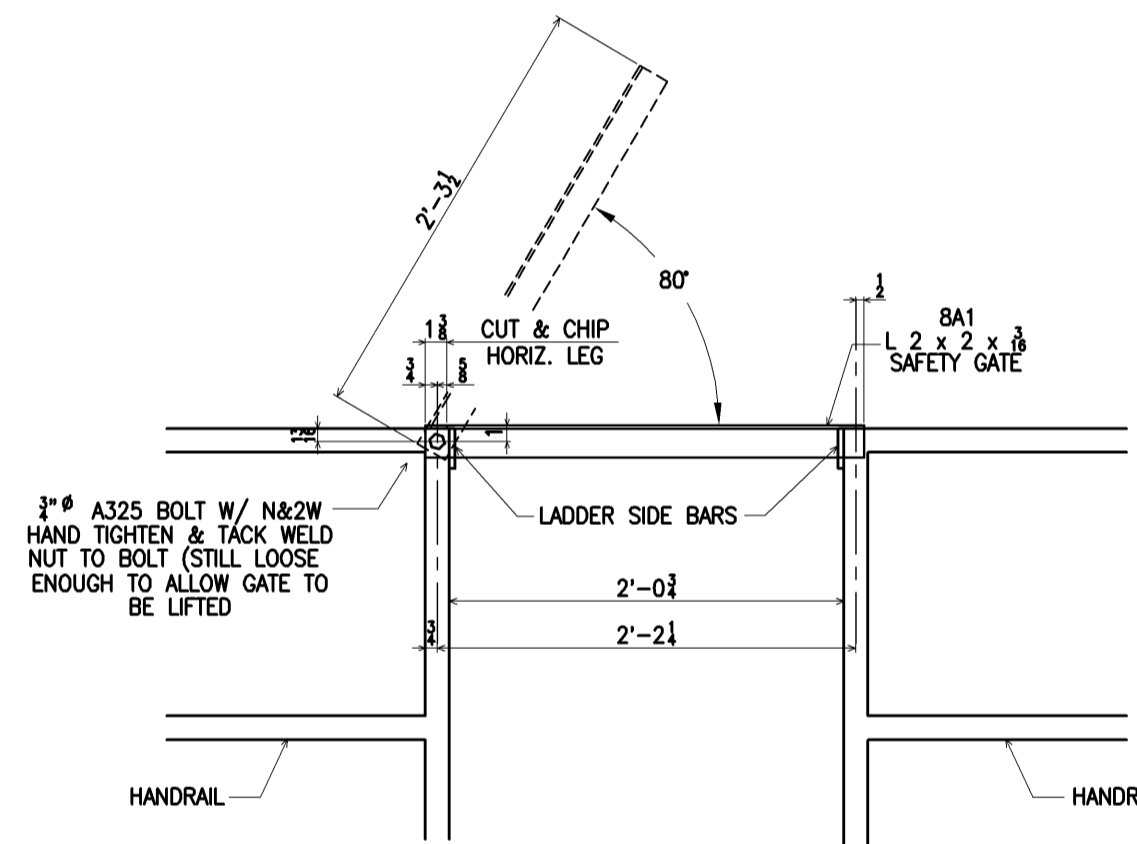
SECTION "1"



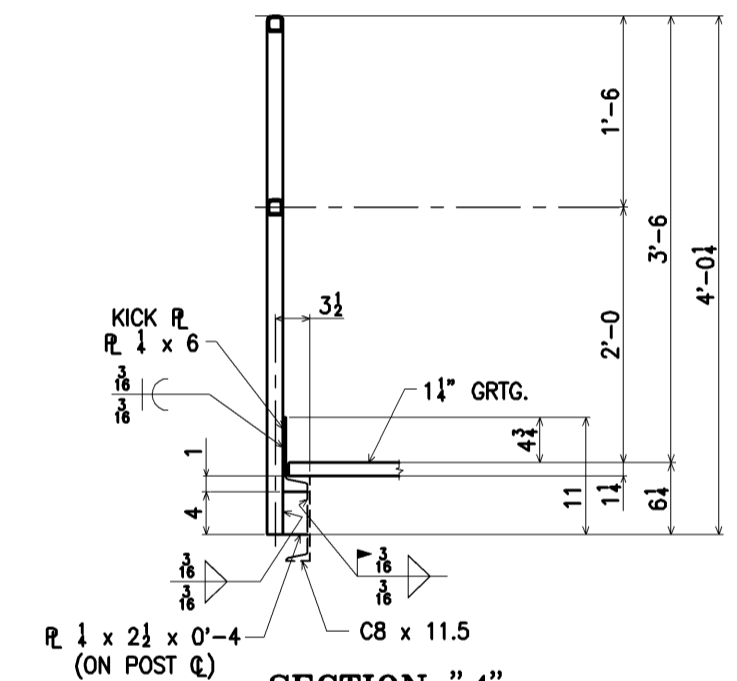
SECTION "2"



SECTION "3"



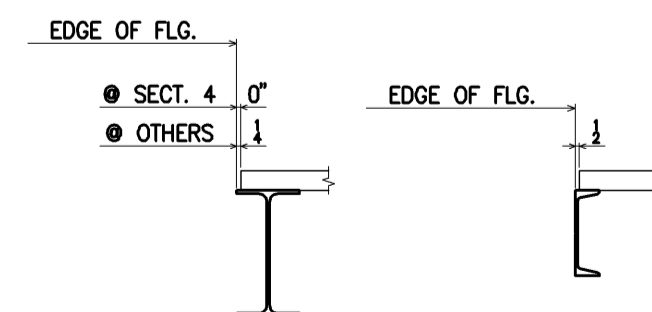
TYP. SAFETY GATE DETAIL  
● TOP OF LADDERS



SECTION "4"

GENERAL NOTES:

1. --- INDICATES HSS 1 1/2 x 1 1/2 (A500 GR. B) RAILING
2. ALL GRATING IS TO BE W-19-4 (1 1/2 x 3/8) WELDED STEEL BAR GRATING
3. ALL STEEL IS A36 U.N.O.
4. ALL GRATING SHALL BE COATED WITH BLACK PRIMER PAINT
5. ALL STEEL TO BE CLEANED PER SSPC-SP3 OR SSPC-SP7
  - SHOP PRIMER = 1 S/C ALKYD PRIMER (2.0-2.5 MILS DFT)
  - SHOP PAINT = 1 S/C ALKYD ENAMEL (1.5-2.5 MILS DFT)
7. GRIND SMOOTH ALL SHARP EDGES, JOINTS & BURRS ON HANDRAILS & LADDERS
8. MITER HANDRAIL CORNERS
9. FOR GRATING WELDS SEE NORBORD RTO PROJECT STANDARD SHEET 24067-00-SS-003 REV. 2



TYP. EDGE OF GRATING DETAIL

No.	Description	Date	By
1	PER APPROVAL	7/27	ARS
REVISIONS			
<b>GREINER INDUSTRIES INC.</b>			
1650 STEEL WAY MT. JOY, PA 17552 717-653-8111 FAX 717-653-1896			
PROJECT		RTO PROJECT	
SCALE 1" = 1'		CONTRACTOR CASEY INDUSTRIAL, INC.	
DRAWN BY ARS_05-34		CHECKED BY CH_6/28/05 DATE 6/27/05	
CONTRACT NO. 05-0711-32		DRAWING NO. ME3	