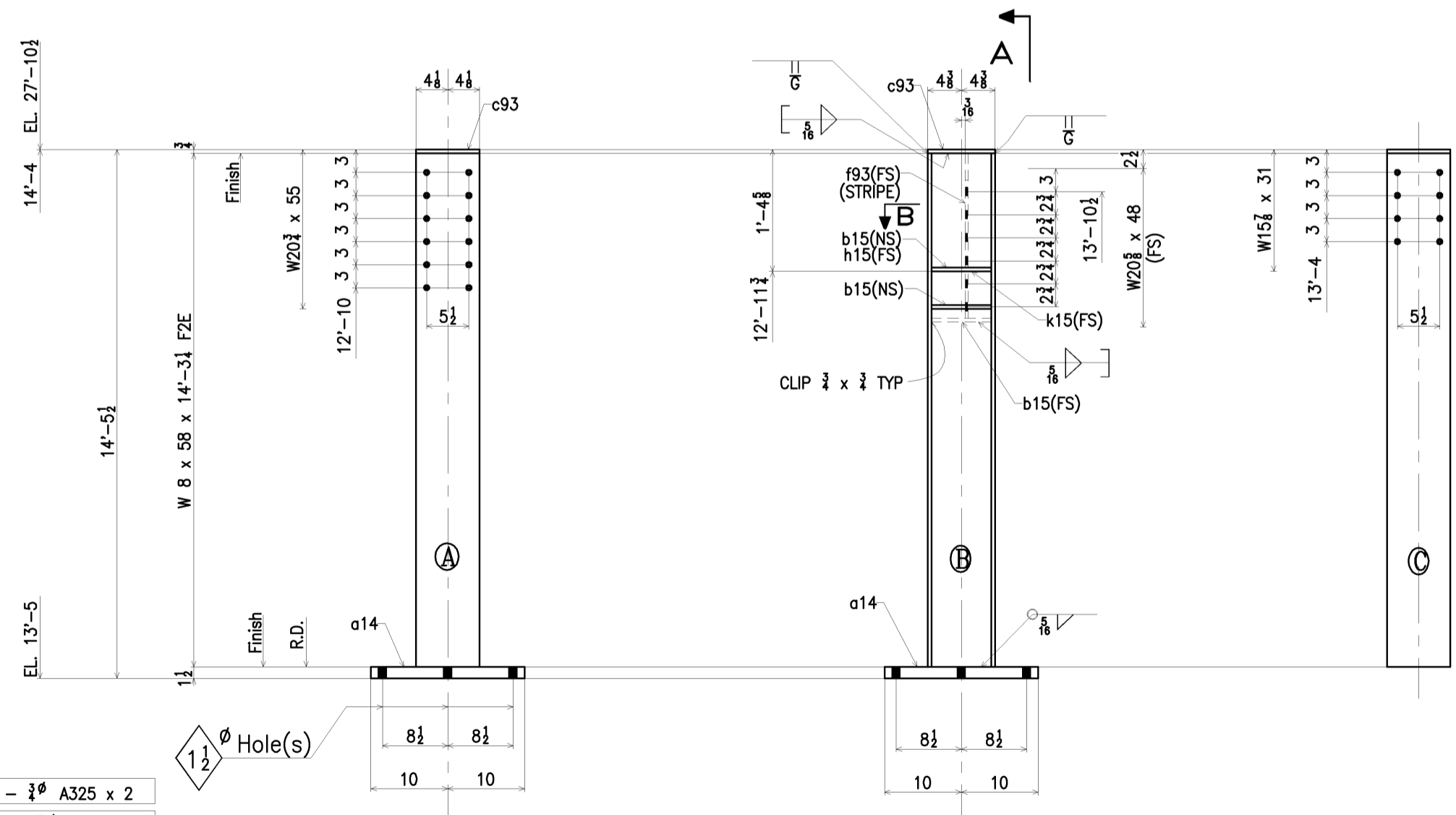


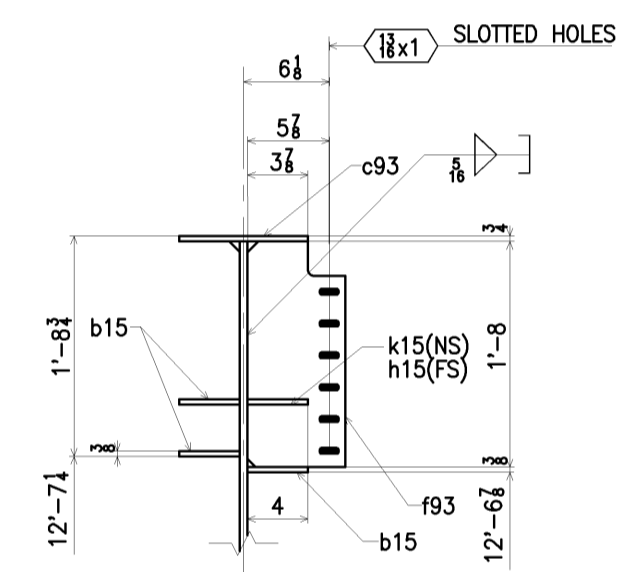
10 - 3/4" A325 x 24
20 - 3/4" A325 x 23

ONE COL 93C1 - (Face A North)
(1-4)

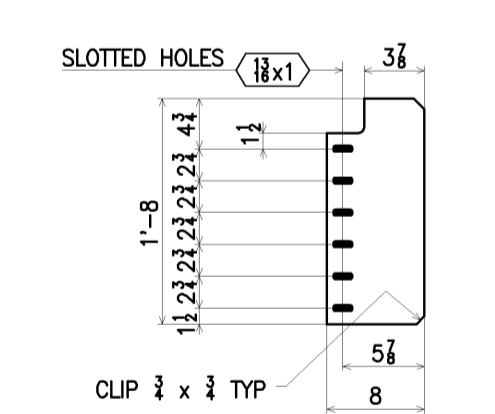


6 - 3/4" A325 x 2
20 - 3/4" A325 x 24

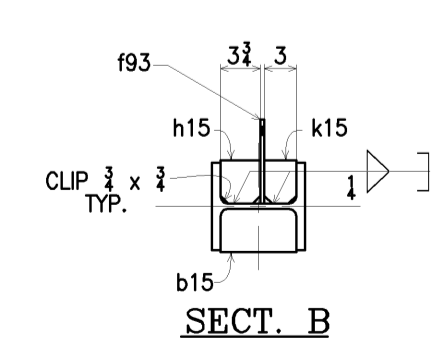
ONE COL 93C2 - (Face A South)
(1-4)



SECTION A



DETAIL OF f93



SECT. B

BILL OF MATERIAL

SEQUENCE						MAINMARK	SUBMARK	QTY	SECTION	LENGTH	REMARKS	VGT.
9A	9	8	7A	7	6							
					1	93C1		ONE	W 12 x 136	14'-6 1/2"	F1E	
							a93	1	P. 2 x 20	1'-8"		
					1	93C2		ONE	W 8 x 58	14'-3 1/2"	F2E	
							a14	1	P. 1 1/2 x 20	1'-8"		
							f93	1	P. 3/4 x 8	1'-8"		
							c93	1	P. 3/4 x 8 1/2	8 1/2"		
							b15	3	P. 3/4 x 4	7 1/2"		
							h15	1	P. 3/4 x 3 1/2	4"		
							k15	1	P. 3/4 x 3	3 1/2"		

FIELD BOLTS THIS SHEET	
6 - 3/4" A325 x 2	
30 - 3/4" A325 x 24	
20 - 3/4" A325 x 23	

ALL WF MATERIAL ASTM A992
ALL OTHER MATERIAL A36 U.N.O.

APPROVAL ONLY	12/20/04	TUBING - ASTM A500, GR. B	PIPE - ASTM A53, GR. B
FIELD USE		BOLTS - 3/4" DIA. A325	HOLES - 1/8" DIA. U.N.O.
ERECTION		WELD - E70XX ELECTRODES (LOW HYDROGEN FOR GRADE 50 STEEL)	PAIN - NONE
FILE & DISTRIBUTION		(EXCLUDE PAINT ON GALV.&NON-FERR. MATERIAL)	SURFACE PREP - SSPC-SP 2
SHOP	1/17/05	IMPORTANT	

WOOLF STEEL INC. DOES NOT TAKE FIELD DIMENSIONS WHEN DRAWINGS ARE RETURNED MARKED "APPROVED". "APPROVED AS NOTED" OR A SIMILAR NOTATION THEY SHALL BE ENTERED INTO OUR SHOP FOR FABRICATION. ANY MISSETS OTHER THAN FABRICATION ERRORS WILL BE SOLELY THE RESPONSIBILITY OF THE CUSTOMER WHEN RETURNING DRAWINGS FROM APPROVAL. MAKE SURE ALL QUESTIONED DIMENSIONS HAVE BEEN VERIFIED AND/OR FURNISHED. REQUESTED INFORMATION IS ENCLOSED AND DIMENSIONS HAVE BEEN CO-ORDINATED WITH THE OTHER TRADES INVOLVED. CONTRACTOR OR ERECTOR HAS ABSOLUTELY NO PERMISSION TO RE-FABRICATE MATERIAL WHICH WILL RESULT IN BACK CHARGE WITHOUT WRITTEN CONSENT.

WOLF STEEL INC. FABRICATORS OF STRUCTURAL STEEL SUPPLIERS OF STEEL JOISTS AND METAL DECK

170 FULLING MILL ROAD
MIDDLETOWN, PENNSYLVANIA 17057-0350
(717) 944-1423

APPROVED BY: J.B. LONG, INC. 04-02 12/17/04
DRAWN BY: DRS 1/11/05
JOB NO. 040954
SHEET NO. 93

PROJECT: ORTHOPEDIC & SPINE SPECIALISTS
1855 POWDER MILL RD.
YORK, PA.

ARCHITECT: NOELKER AND HULL ASSOCIATES, INC.

CONTRACTOR: WHITING-TURNER CONST., INC.

