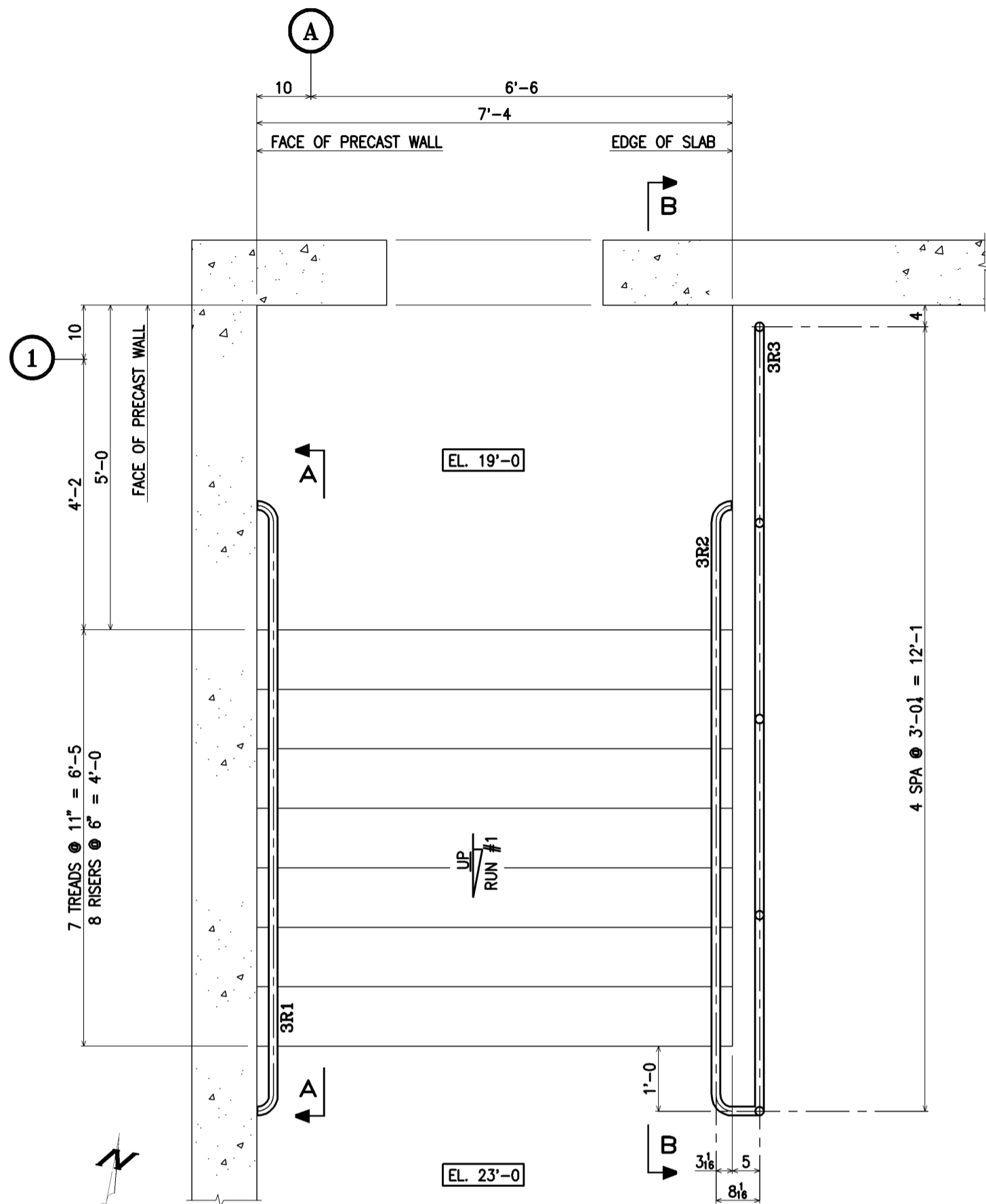
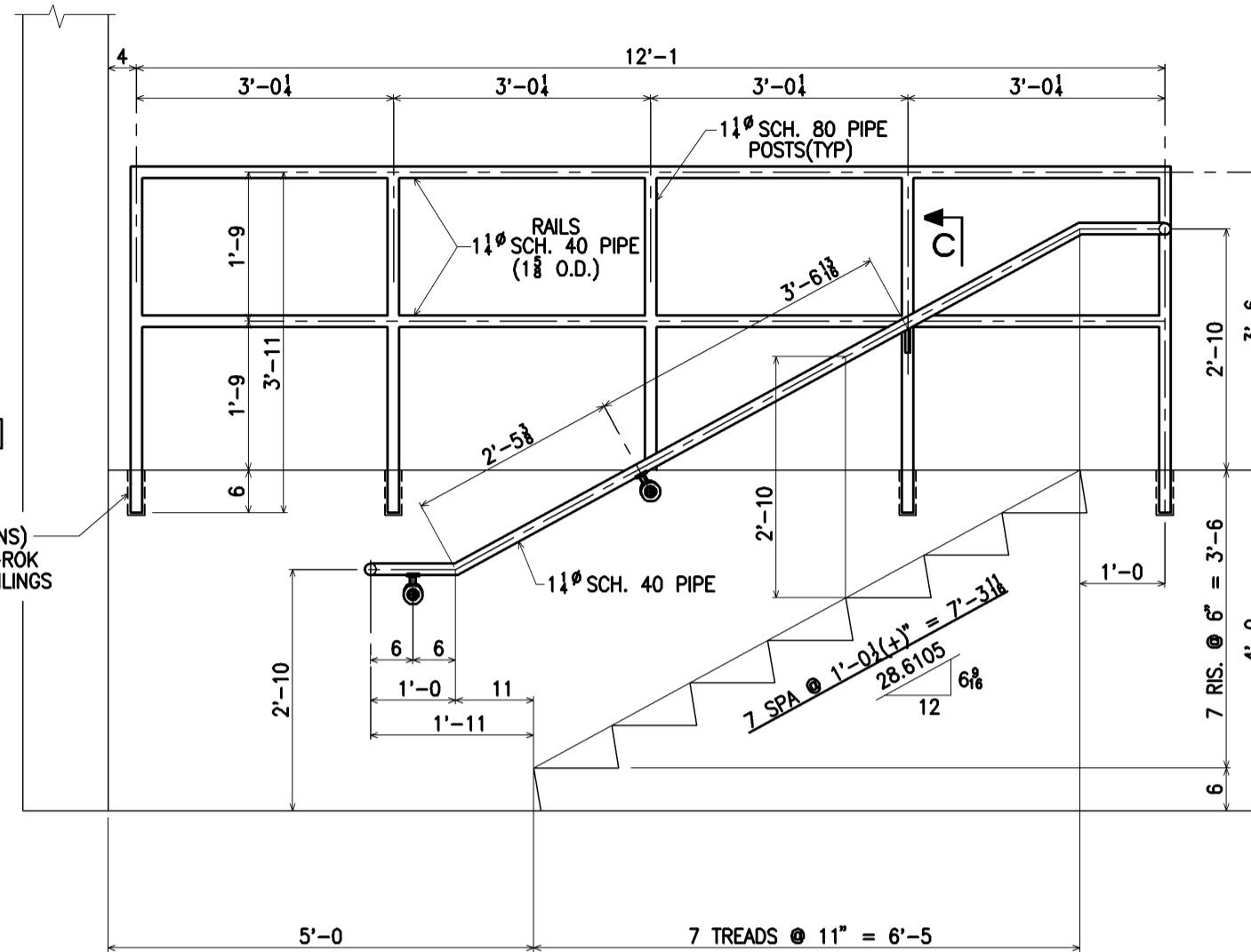


BILL OF MATERIAL

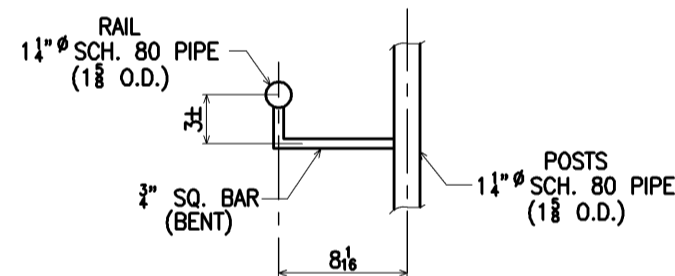
MAINMARK	SUBMARK	QTY	SECTION	LENGTH	REMARKS	PC/LIN
RAILING						
-	LN.FT.	11	SCH. 40 PIPE	46'-0"	1 1/8" O.D. (RAILS)	
-	LN.FT.	11	SCH. 80 PIPE	21'-0"	1 1/8" O.D. (POSTS)	
-	6	WALL BRACKETS	-	-	J.BLUM #626	
-	ONE	3" SQ. BAR	1'-0"	-	BENT	
FIELD BOLTS						
-	6	3/4" x 3 H.H. FULL THRD BOLT				
-	6	3/8" DBL EXP. SHIELD				
E-Z SLEEVES						
-	5	E-Z SLEEVES				



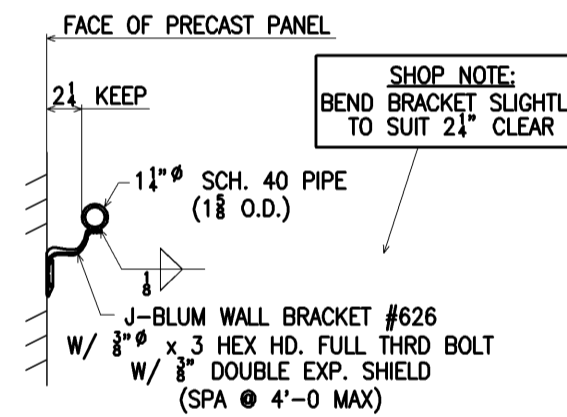
RAILING PLAN FOR STAIR #3
(SCALE = 3/4")



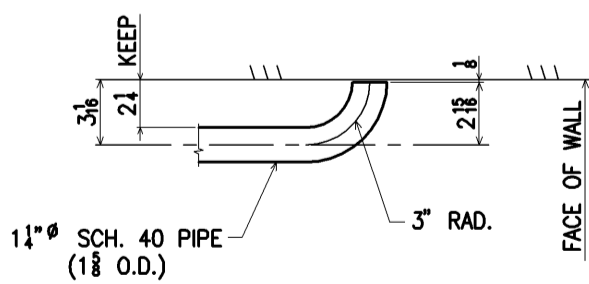
SECTION "B-B"
(SCALE = 3/4")



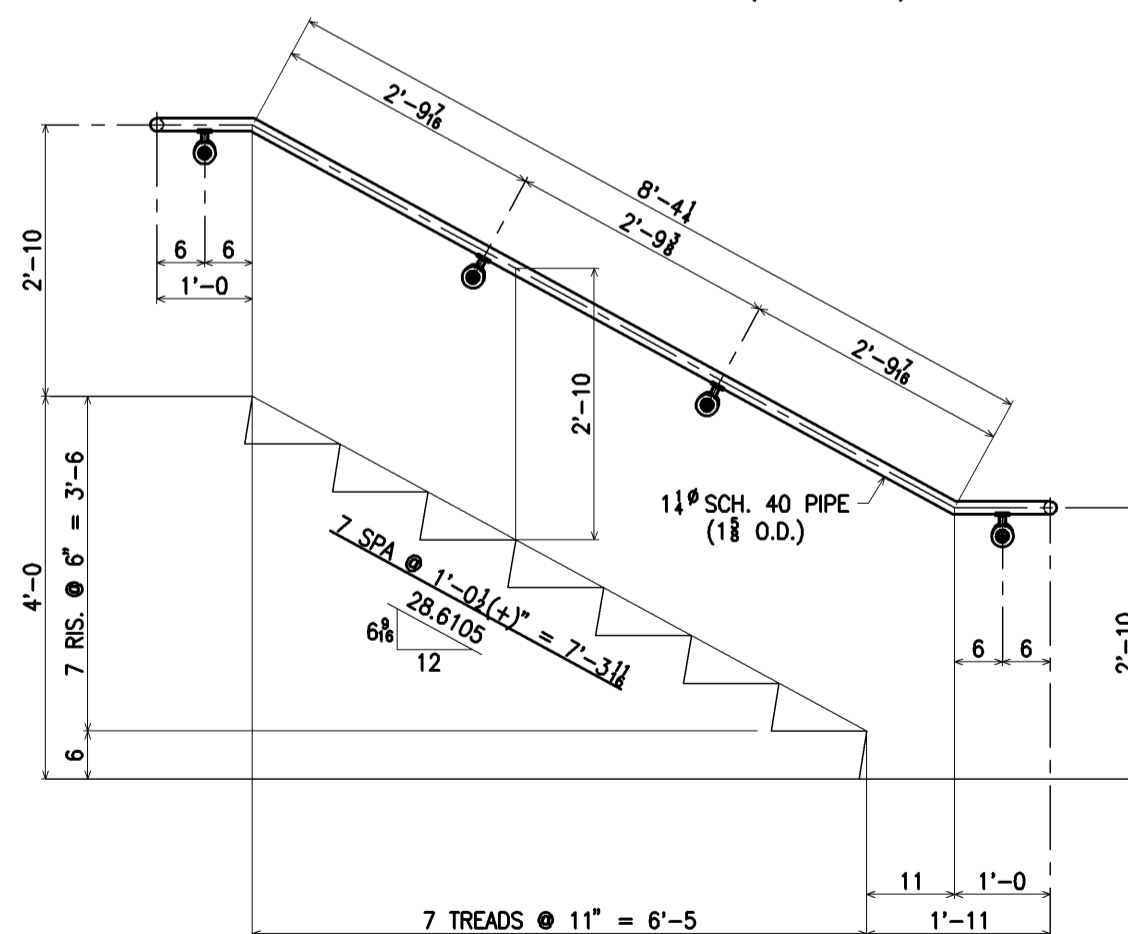
SECTION "C-C"
(SCALE = 1 1/2")



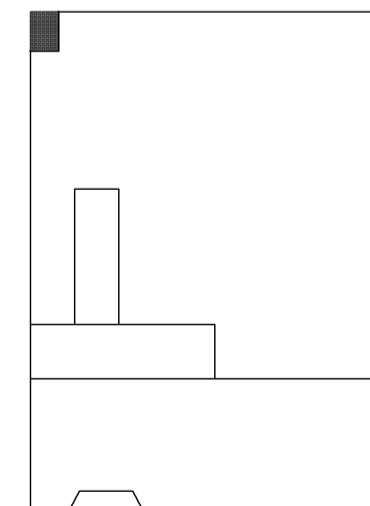
TYP. HANDRAIL TO WALL CONN.



TYP. HANDRAIL TO WALL RETURN



SECTION "A-A"
(SCALE = 3/4")



KEY PLAN

This drawing is the property of UNITED STEEL INC. and may not be reproduced or copied in whole or in part without its permission.

GENERAL NOTES:

- MATERIAL GRADES (NOT LISTED IN TITLE BLOCK) - PIPE MATERIAL ~ ASTM A53 GR. B

REF. DWGS A100, A105, S202, A503

ITEM NO.	DESCRIPTION	REMARKS
2A	STAIR #3 RAILS	
UNITED STEEL, INC.		
FABRICATORS & ERECTORS 164 SCHOOL STREET EAST HARTFORD, CT 06108 FAX 860-289-2323		
STRUCTURAL STEEL & MISCELLANEOUS METALS EAST HARTFORD, CT 06108 FAX 860-289-2308		
SHEP BOLTS: 1/2" A325 HOLES: 1/8" ALL MATERIALS TO BE ASTM-A36 UN.		
SHEP PAINT: 1 S/C STD. PRIMER SURFACE PREP: SSPC-SP2 DRY MILL THICK.		
MASONRY ANCHORS: ALL WELDS TO BE MADE WITH ELECTRODES SERIES E70XX-LH		
PROJECT: HEXAGON METROLOGY FACILITY NORTH KINGSTOWN, RI		
DRAWN BY	DATE	CHECKED BY
ARS 05-65	10/25/05	CH
JOB NO.	DATE	DATE
5063		11/9/05
SHEET NO.		
ME 11		



QUALITY CERTIFIED
CATEGORY I & II
BY THE AMERICAN INSTITUTE
OF STEEL CONSTRUCTION, INC.