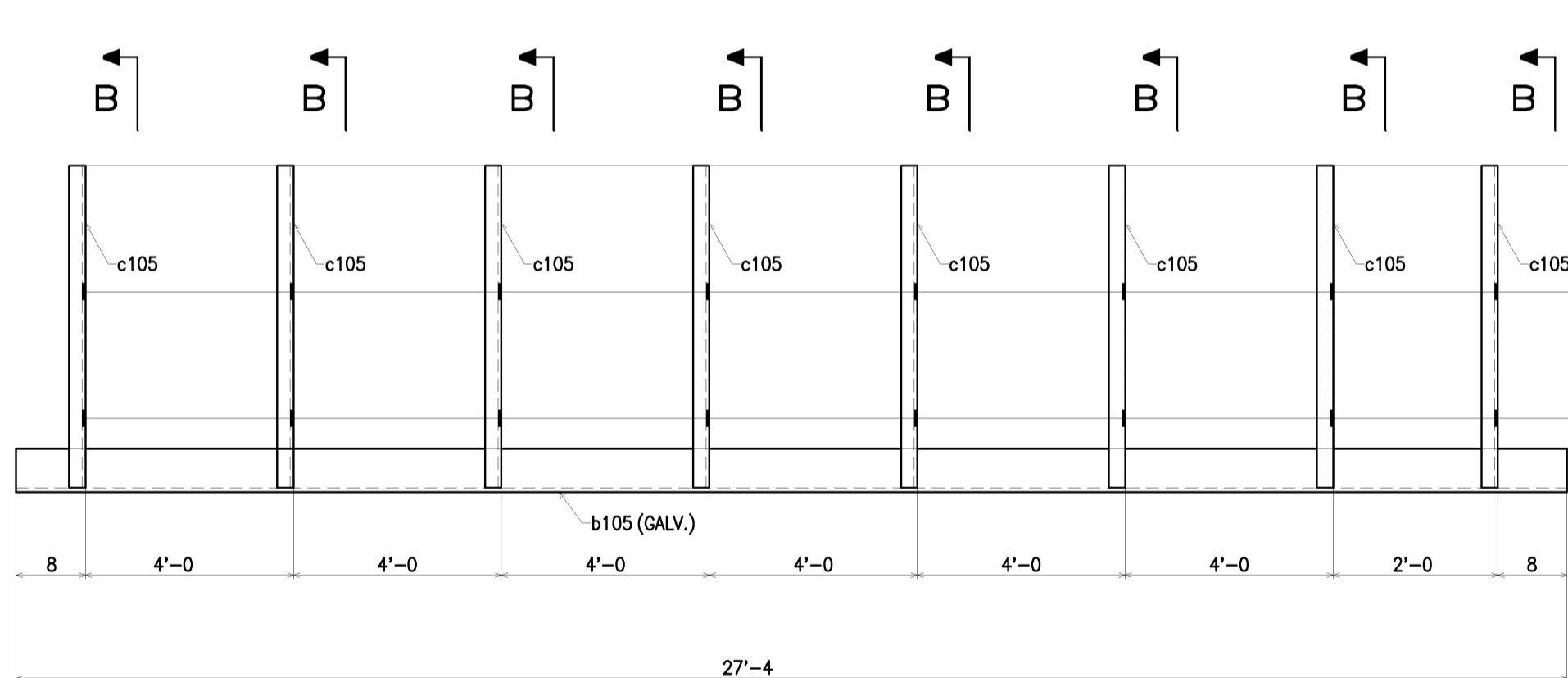


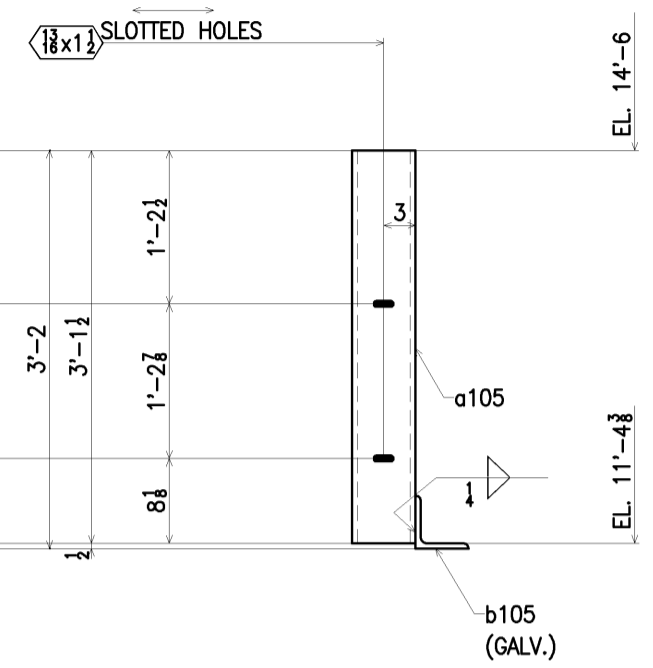
ONE ~ FRAME ~ 105FR1

T.O.S. EL.	-
GRID	C-1
"E" DWG.	E14 & E20

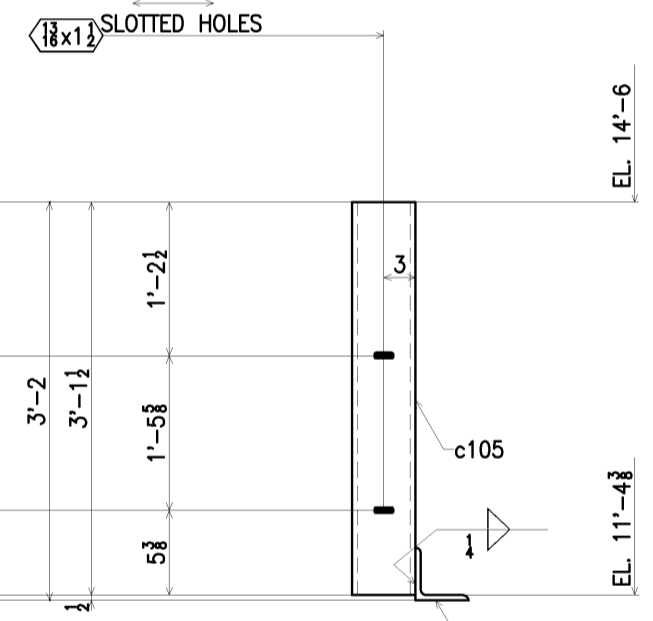


4 ~ FRAME ~ 105FR2

T.O.S. EL.	-
GRID	H&K-1
"E" DWG.	E14 & E20



SECTION A



SECTION B

BILL OF MATERIAL

SEQUENCE						MARK	SUBMARK	QTY	SECTION	LENGTH	REMARKS	WGT.
9A	9	8	7A	7	6							
					1	105FR1	ONE	FRAME				
							a105	8	C 6 x 8.2	3'-1 1/2		
							b105	1	L 5 x 5 x 3/8	27'-4	GALV.	
					4	105FR2	4	FRAME				
							b105	4			GALV.	
							c105	32	C 6 x 8.2	3'-1 1/2		

FIELD BOLTS THIS SHEET	

ALL WF MATERIAL ASTM A992
ALL OTHER MATERIAL A36 U.N.O.



<input checked="" type="checkbox"/> APPROVAL ONLY	12/20/04	TUBING - ASTM A500, GR. B
<input type="checkbox"/> FIELD USE		PIPE - ASTM A53, GR. B
<input type="checkbox"/> ERECTION		BOLTS - 1" DIA. A325
<input type="checkbox"/> FILE & DISTRIBUTION		HOLES - 3/4" DIA. U.N.O.
<input checked="" type="checkbox"/> SHOP	1/17/05	WELD - E70XX ELECTRODES (LOW HYDROGEN FOR GRADE 50 STEEL)
		PAINT - NONE
		(EXCLUDE PAINT ON GALV.&NON-FERR. MATERIAL)
		SURFACE PREP - SSPC-SP 2

WOOLF STEEL INC.
FABRICATORS OF STRUCTURAL STEEL SUPPLIERS OF STEEL JOISTS AND METAL DECK

170 PULLING MILL ROAD
MIDDLETOWN, PENNSYLVANIA 17057-0350
(717) 944-1423

PROJECT: **ORTHOPEDIC & SPINE SPECIALISTS**
1856 POWDER MILL RD.
YORK, PA.

ARCHITECT: **NOELKER AND HULL ASSOCIATES, INC.**

CONTRACTOR: **WHITING-TURNER CONST., INC.**

APPROVED BY: **J.B. LONG, INC.**
RJS 04-82
12/17/04

CK'D BY: **DMS**
1/13/05

JOB NO. **040954**

SHEET NO. **105**