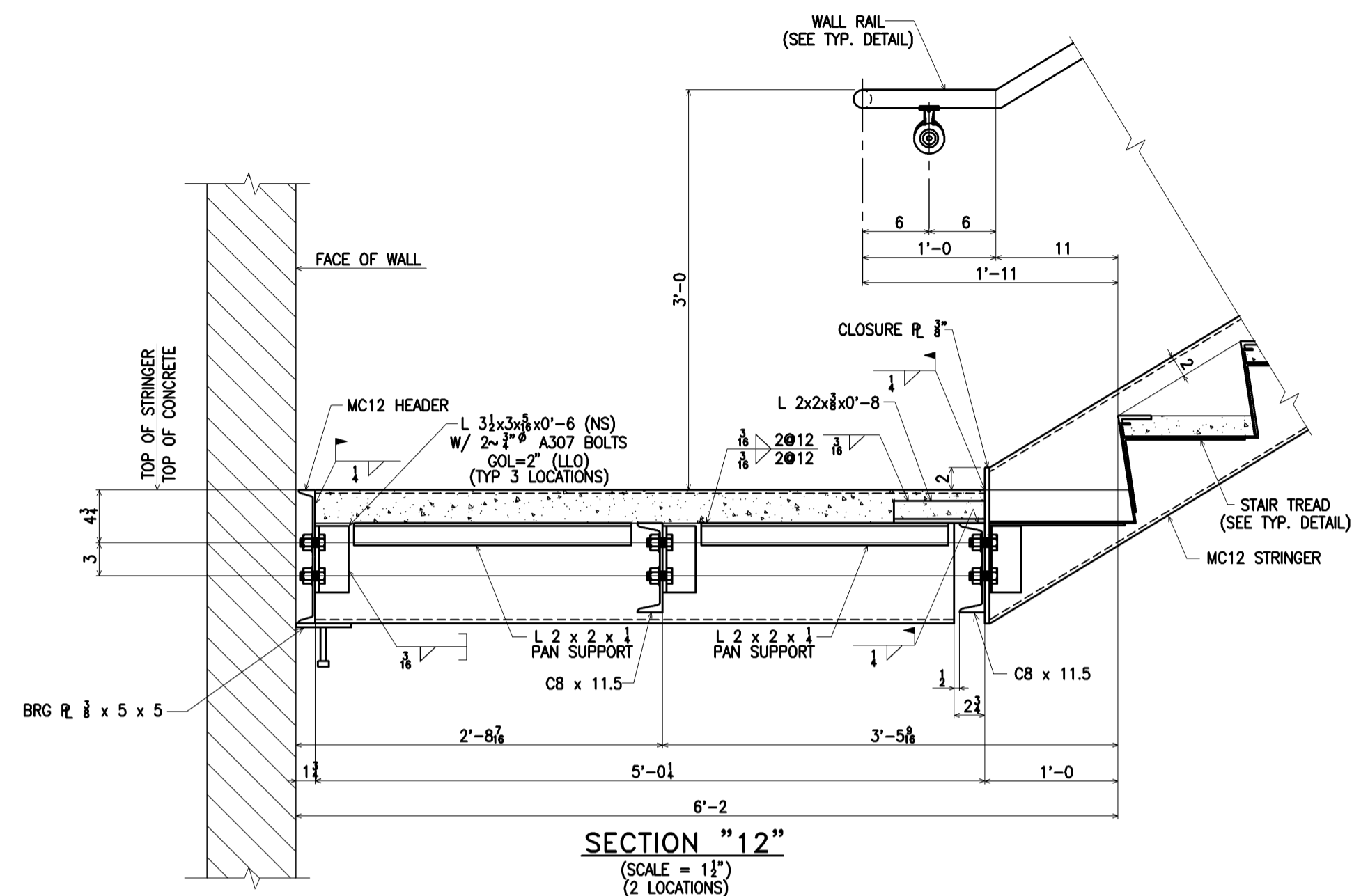
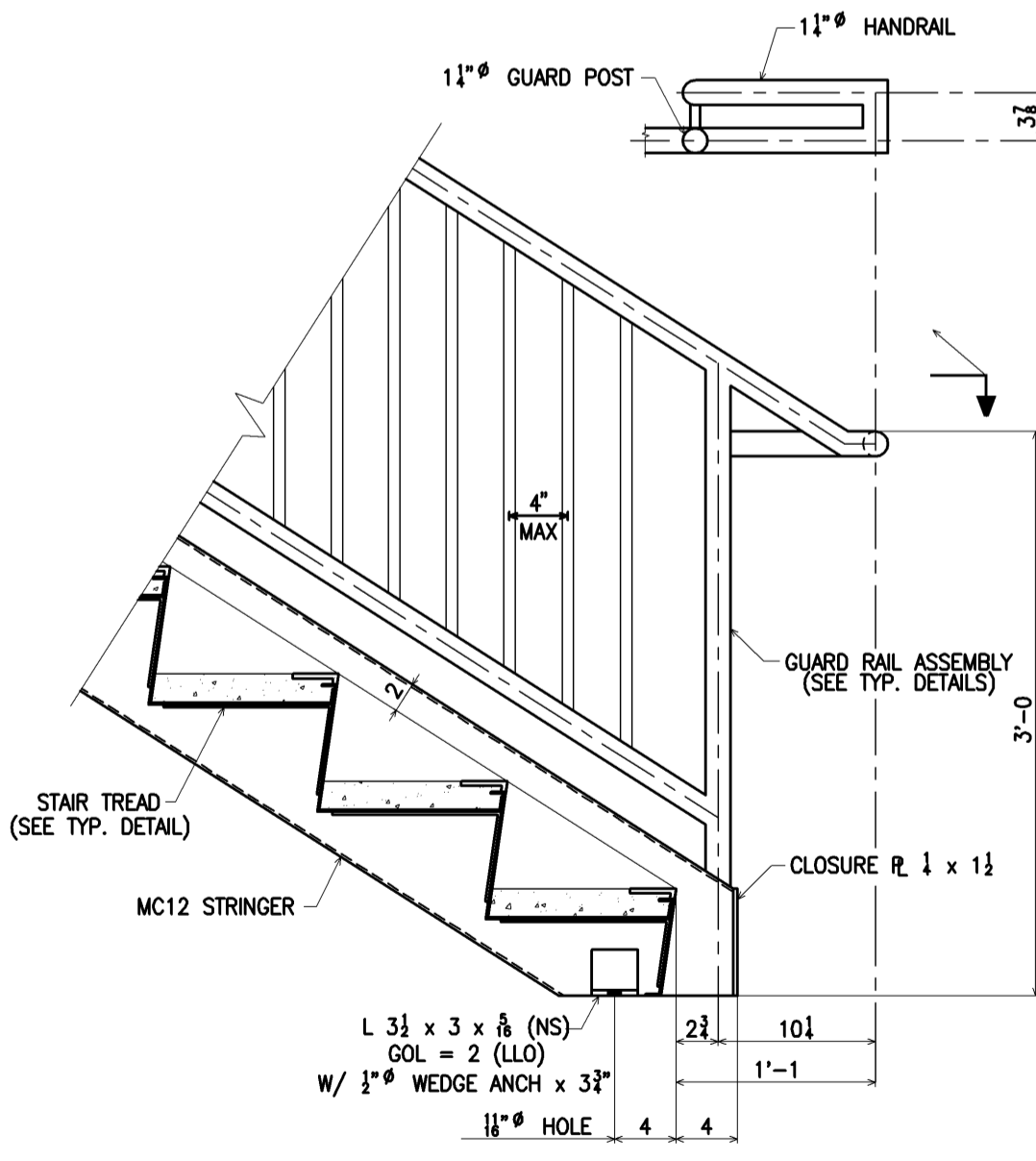


**SECTION A-A**  
(SCALE = 1/2'')



**SECTION "12"**  
(SCALE = 1 1/2'')  
(2 LOCATIONS)



**SECTION "1"**  
(SCALE = 1 1/2'')

FABRICATION LEAD TIME FOR THIS ITEM(S)  
IS \_\_\_ WEEKS FROM APPROVAL AND/OR FIELD  
MEASUREMENT.

REVISIONS		
NO.	DESCRIPTION	DATE
1	PER APPROVAL	1/11

ISSUED FOR THE FOLLOWING APPROVAL 12/7/05	PROJECT: YORKTOWN ARMS PHASE II LOCATION: PHILADELPHIA, PA	DESIGN BY: [blank] DATE: 08-08-05
	ARCHITECT: [blank] ARCHITECTS	DATE: 11/18/05
	CONTRACTOR: T. N. WARD, CO.	CHECKED: [blank]
	CRESCENT IRON WORKS 4801 GRAYS AVE PHILA, PA. 19143	CONTRACT NO. [blank]
APPROVED	OPEN HOLES: 1/2" (U.N.O.)	CONTRACT NO. [blank]
	BOLTS: 3/8" A307 (U.N.O.)	CONTRACT NO. [blank]
	PAINT: ONE SHOP COAT; RUST-O-LASTIC GREY SHOP PRIMER	CONTRACT NO. [blank]

DELIVERED OR ERECTED	ARCH. DWG. NO.
STAIR: 18	RAILS: 17

ME3

ME3