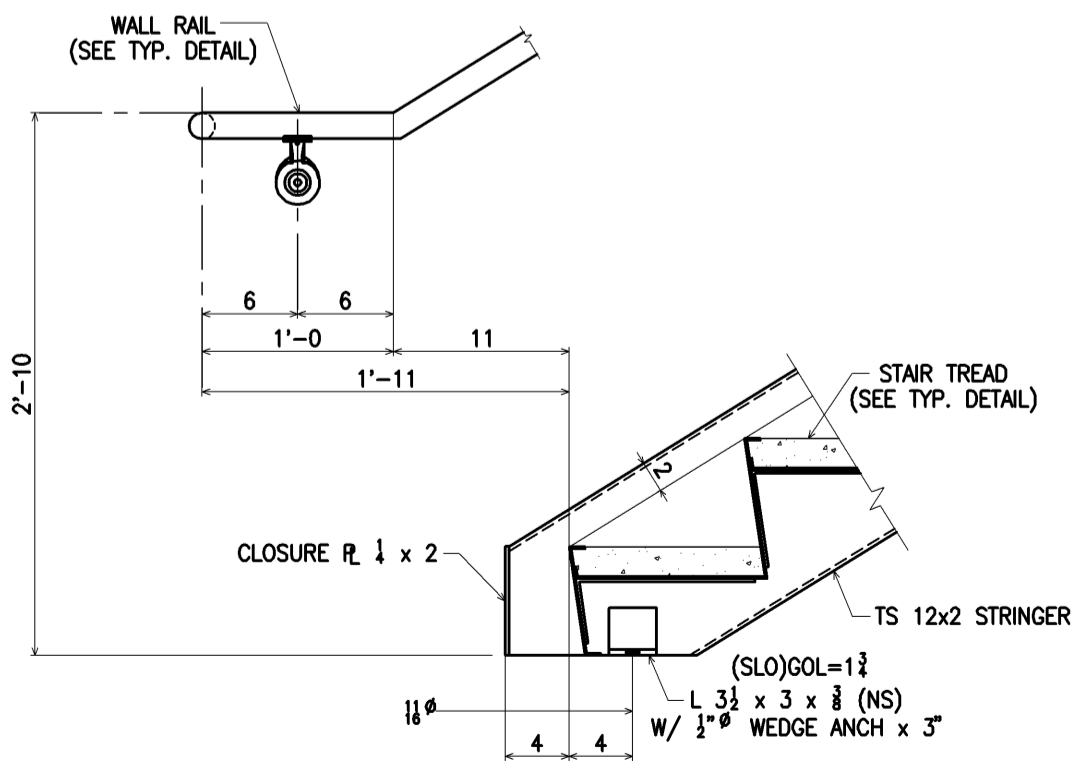
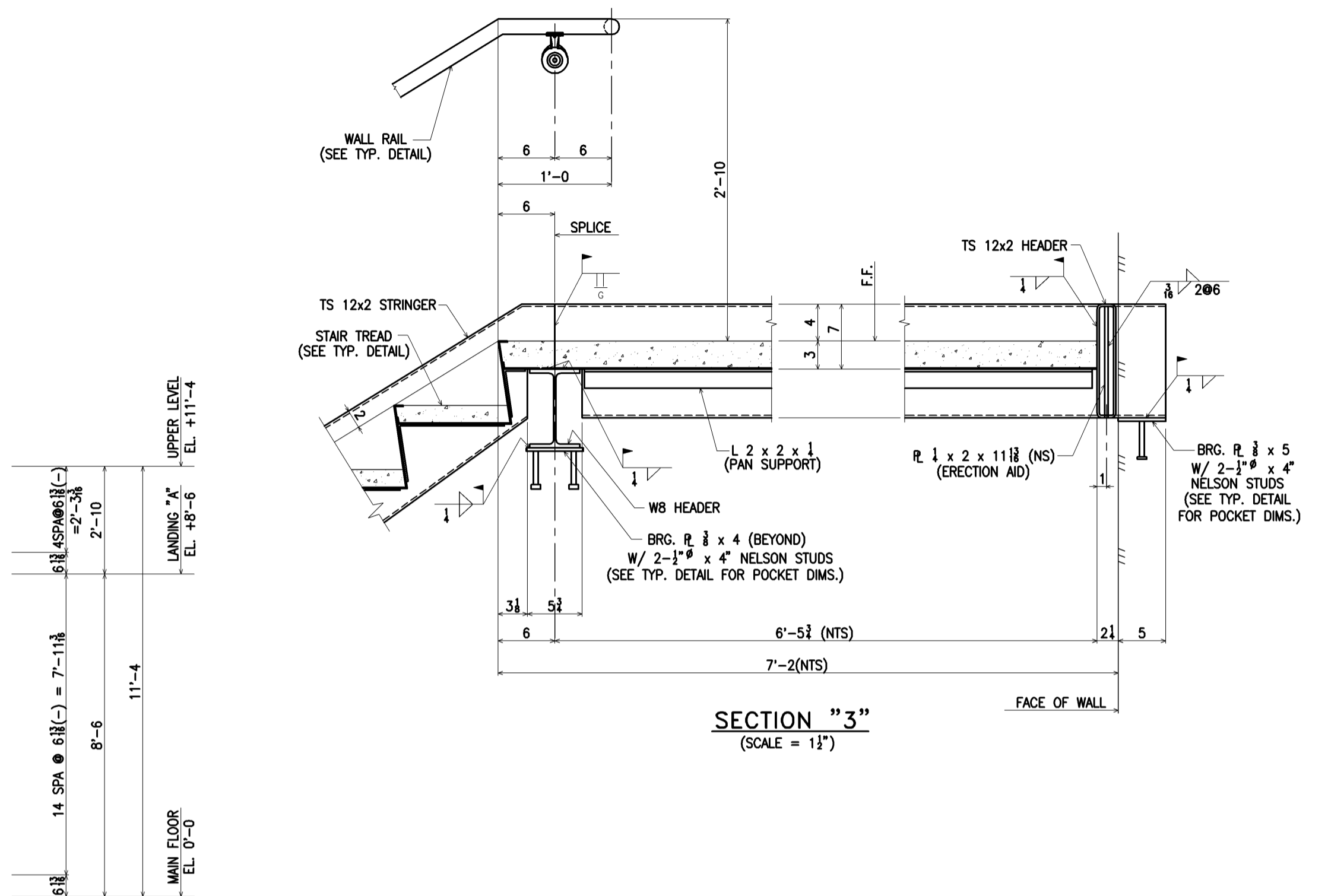


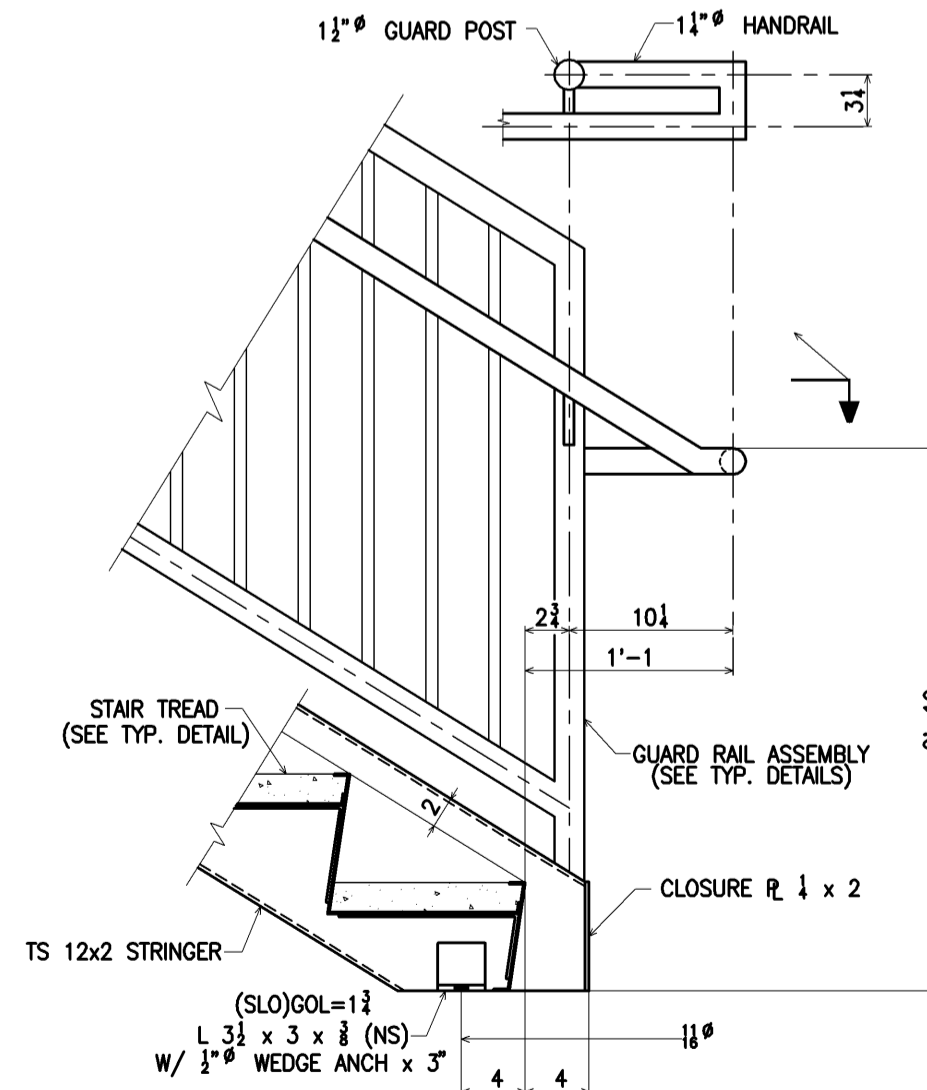
**ELEVATION "A-A"**  
(SCALE = 1/2")



**SECTION "1"**  
(SCALE = 1 1/2")



**SECTION "3"**  
(SCALE = 1 1/2")



**SECTION "2"**  
(SCALE = 1 1/2")

**DWG'S REQ'D TO BUILD THIS STAIR**  
ME1 THRU ME5 & JS1



QUALITY CERTIFIED  
CATEGORY I & II  
BY THE AMERICAN INSTITUTE  
OF STEEL CONSTRUCTION, INC.

ITEM NO.	DESCRIPTION	REMARKS
6	STAIR K1 / K11	
<b>UNITED STEEL, INC.</b> FABRICATORS & ERECTORS 164 SCHOOL STREET 860-289-2323		
STRUCTURAL STEEL & MISCELLANEOUS METALS EAST HARTFORD, CT 06108 FAX 860-289-2908		
PROJECT <b>LEWIS S. MILLS HAR-BUR COMPLEX</b> <b>24/26 LYON RD. BURLINGTON, CT 06013</b>		
DRAWN BY ARS 05-21	DATE 6/8/05	CHECKED BY CH
DATE 7/14/05	JOB NO. 5029	
SHEET NO. ME2		

This drawing is the property of UNITED STEEL INC. and may not be reproduced or copied in whole or in part without its permission.