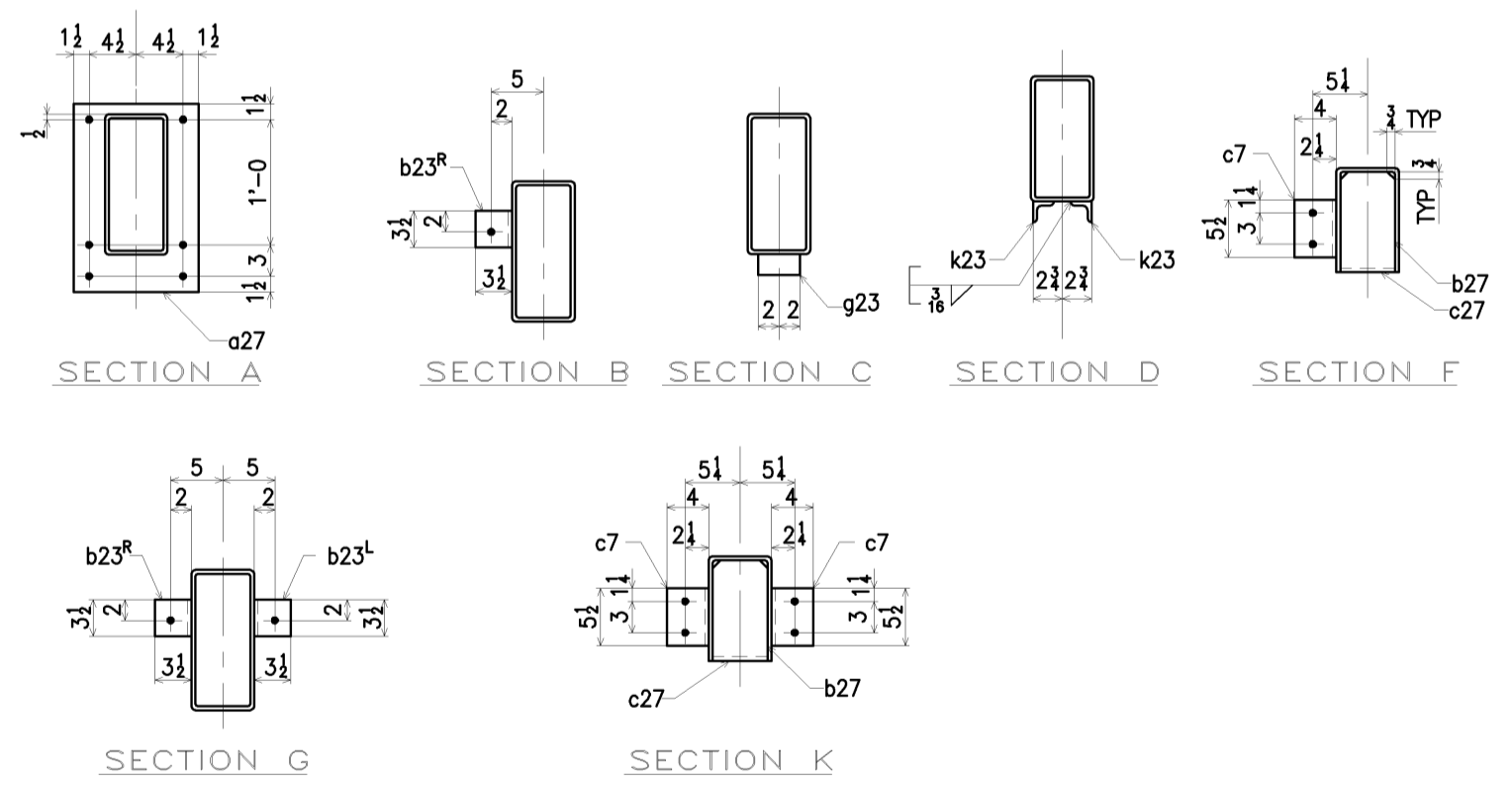
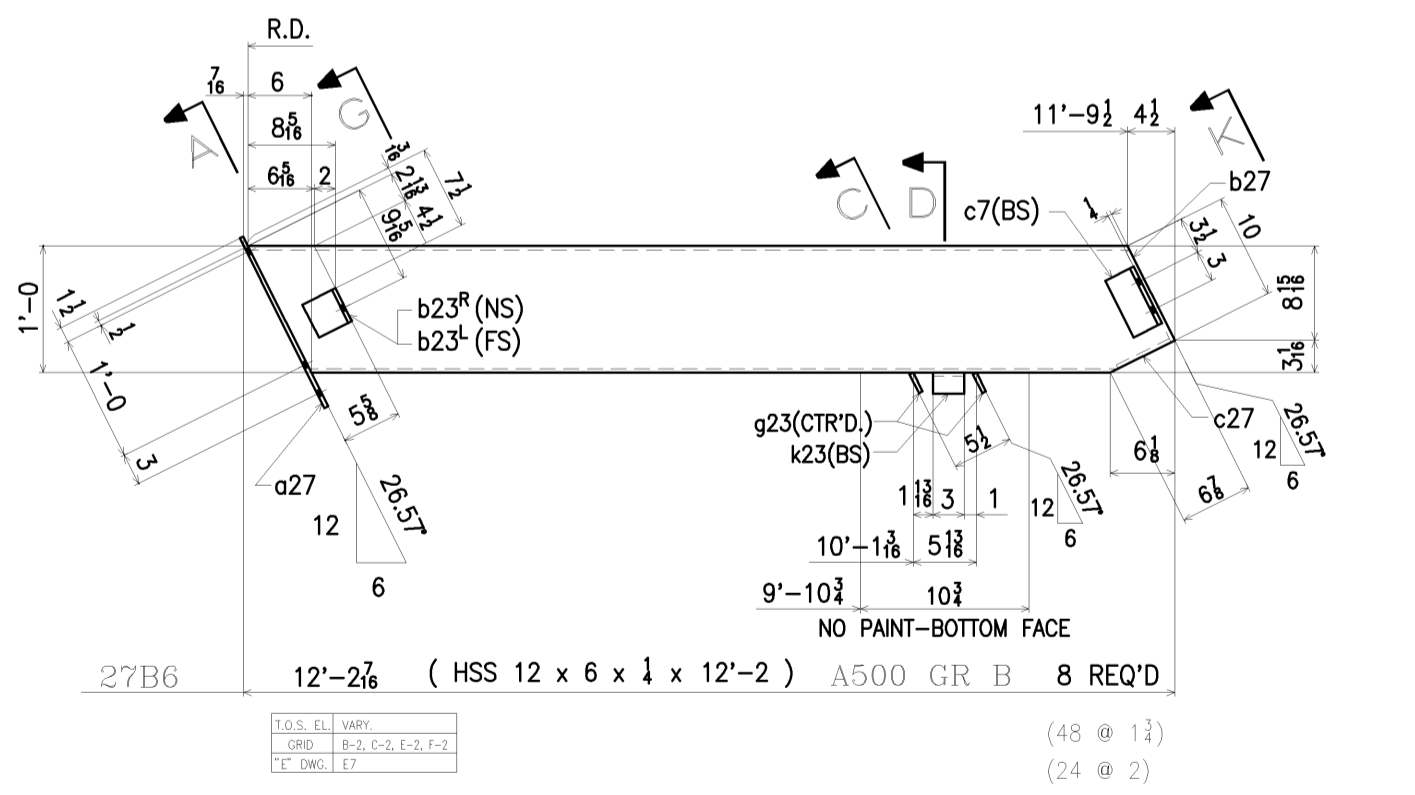
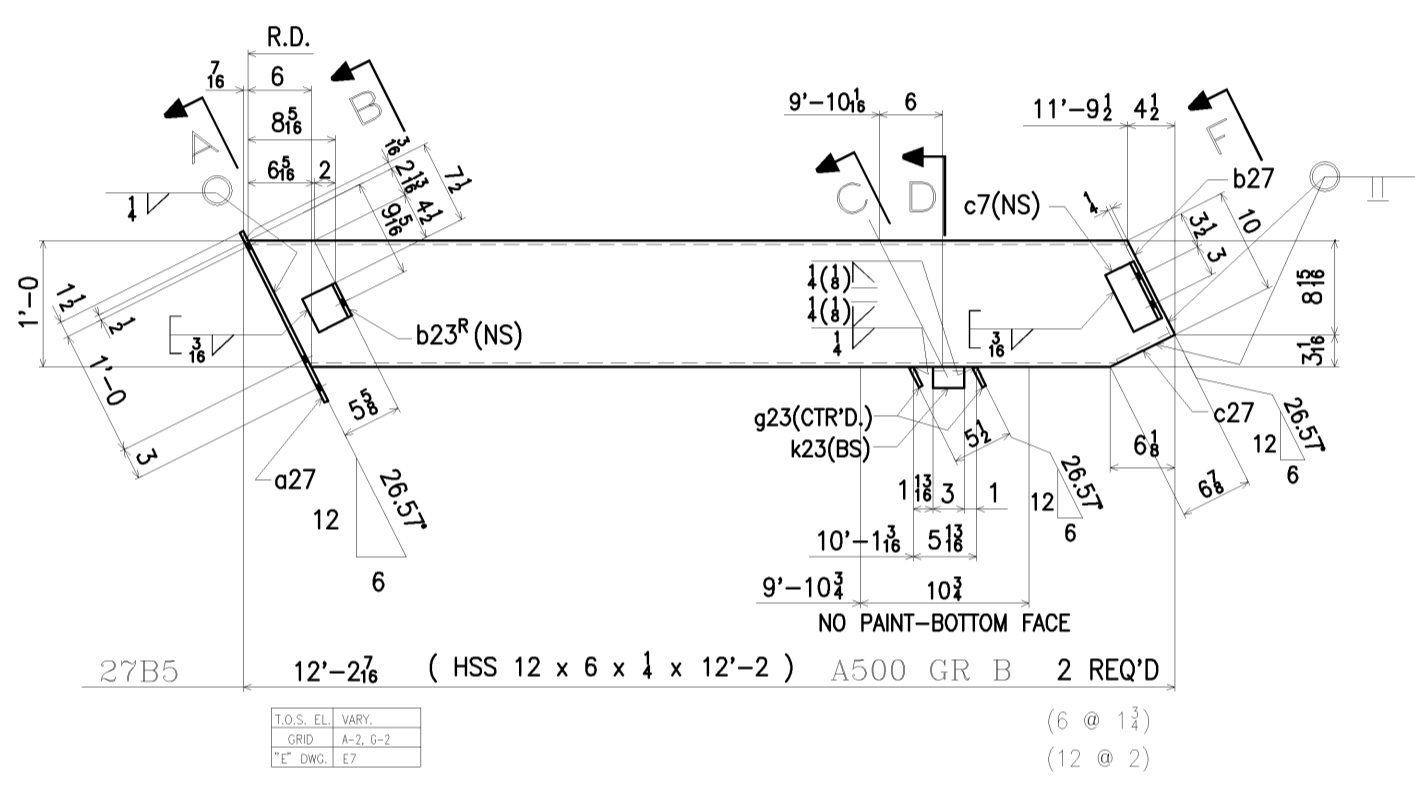
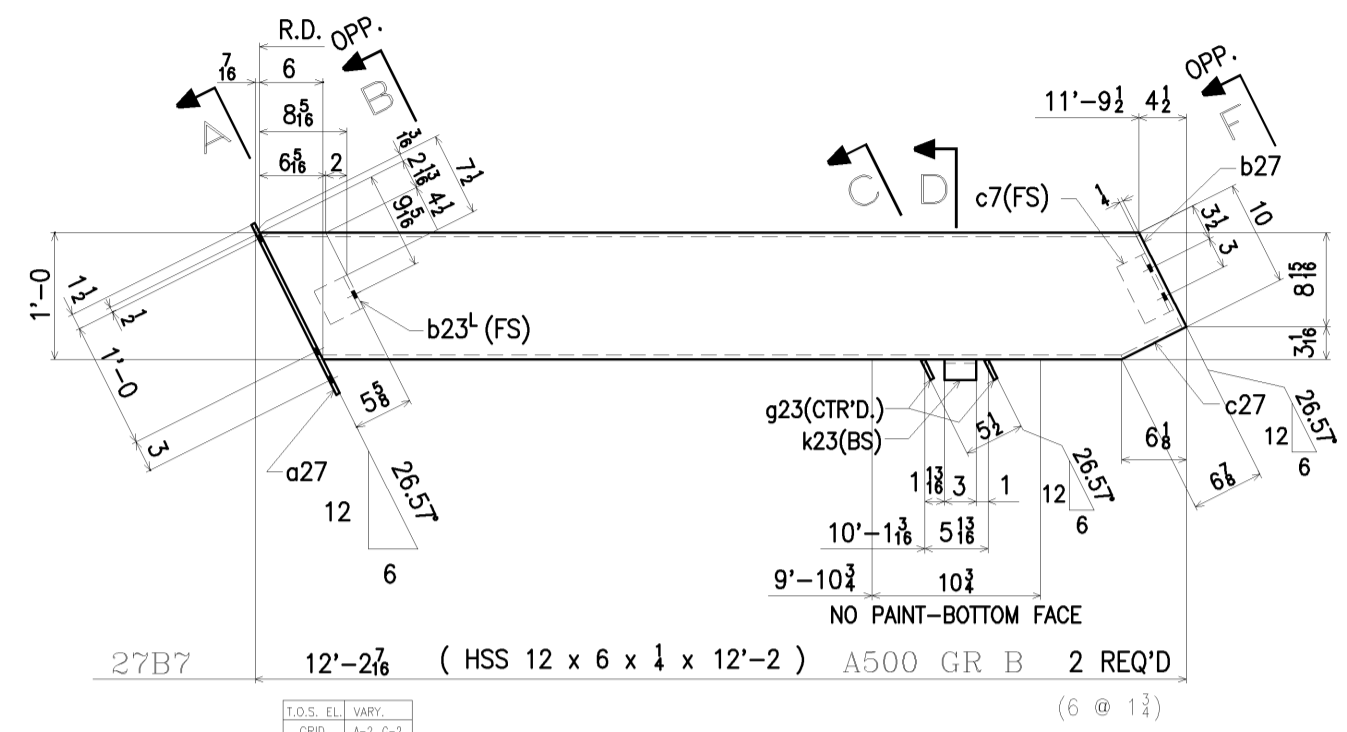


9'-3	(FOR B1)
8'-8	(FOR B2)
9'-9	(FOR B3)
9'-2	(FOR B4)

27B1	-6 1/2	L 3 1/2 x 3 1/2 x 1/4 x 9'-6	4 REQ'D	-6 1/2
27B2	-6 1/2	L 3 1/2 x 3 1/2 x 1/4 x 8'-11	6 REQ'D	-6 1/2
27B3	-3 1/2	L 3 1/2 x 3 1/2 x 1/4 x 10'-0	4 REQ'D	-3 1/2
27B4	-3 1/2	L 3 1/2 x 3 1/2 x 1/4 x 9'-5	6 REQ'D	-3 1/2

T.O.S. EL. 415'-9.8, 420'-9.1
 GRID A-25 - G-25
 "E" DWG. E7



CUTTING LIST

PC. MK	QTY.	DESCRIPTION	LENGTH FT. IN.	REMARKS	WGT.
27B1	4	L 3 1/2 x 3 1/2 x 1/4	9'-6		
27B2	6	L 3 1/2 x 3 1/2 x 1/4	8'-11		
27B3	4	L 3 1/2 x 3 1/2 x 1/4	10'-0		
27B4	6	L 3 1/2 x 3 1/2 x 1/4	9'-5		
27B5	2	HSS 12 x 6 x 1/4	12'-2	A500 GR B BEV. 2E	
c7	2	L 4 x 3 x 1/4	5 1/2		
b23 ^R	2	L 3 1/2 x 3 1/2 x 1/4	3 1/2		
g23	4	PL 1/4 x 2	4		
k23	4	L 2 x 2 x 1/4	3		
a27	2	PL 3/8 x 12	1'-6		
b27	2	PL 1/4 x 5 1/2	9 3/4		
c27	2	PL 1/4 x 5 1/2	6 1/8		
27B6	8	HSS 12 x 6 x 1/4	12'-2	A500 GR B BEV. 2E	
c7	16	L 4 x 3 x 1/4	5 1/2		
b23 ^L	8	L 3 1/2 x 3 1/2 x 1/4	3 1/2		
g23	16	PL 1/4 x 2	4		
k23	16	L 2 x 2 x 1/4	3		
a27	8	PL 3/8 x 12	1'-6		
b27	8	PL 1/4 x 5 1/2	9 3/4		
c27	8	PL 1/4 x 5 1/2	6 1/8		
27B7	2	HSS 12 x 6 x 1/4	12'-2	A500 GR B BEV. 2E	
c7	2	L 4 x 3 x 1/4	5 1/2		
b23 ^L	2	L 3 1/2 x 3 1/2 x 1/4	3 1/2		
g23	4	PL 1/4 x 2	4		
k23	4	L 2 x 2 x 1/4	3		
a27	2	PL 3/8 x 12	1'-6		
b27	2	PL 1/4 x 5 1/2	9 3/4		
c27	2	PL 1/4 x 5 1/2	6 1/8		
FIELD BOLTS					
60		3/8" A325	1 1/2		
36		3/8" A325	2		

ALL WF MATERIAL TO BE ASTM A992
 ALL OTHER MATERIAL A36 U.N.O.



<input checked="" type="checkbox"/> APPROVAL ONLY <input type="checkbox"/> FIELD USE <input type="checkbox"/> ERECTION <input type="checkbox"/> FILE & DISTRIBUTION <input checked="" type="checkbox"/> SHOP	9/2/03 10/1/03	TUBING - ASTM A500, GR B PIPE - ASTM A53, GR B BOLTS - 7/8" DIA. A325 HOLES - 1/8" DIA. UNF. WELD - E70XX ELECTRODES (LOW HYDROGEN FOR GRADE 50 STEEL) PAINT - ONE SHOP COAT GRAY PRIMER (EXCLUDE PAINT ON GALV.&NON-FERR. MATERIAL) SURFACE PREP - SSPC-SP 2	 FABRICATORS OF STRUCTURAL STEEL SUPPLIERS OF STEEL JOISTS AND METAL DECK 170 FULING MILL ROAD MIDDLETOWN, PENNSYLVANIA 17057-0350 (717) 944-1423	APPROVED BY: DRAWN BY: J.B. LONG, INC. JUN 03-30 8/28/03 CK'D BY: DRS 8/10/03
IMPORTANT WOOLF STEEL INC. DOES NOT TAKE FIELD DIMENSIONS WHEN DRAWINGS ARE RETURNED MARKED "APPROVED". "APPROVED" AS NOTED OR A SIMILAR NOTATION THEY SHALL BE ENTERED INTO OUR SHOP FOR FABRICATION. ANY MISTAKES OTHER THAN FABRICATION ERRORS WILL BE SOLELY THE RESPONSIBILITY OF THE CUSTOMER WHEN RETURNING DRAWINGS FROM APPROVAL. MAKE SURE ALL QUESTIONED DIMENSIONS HAVE BEEN VERIFIED AND/OR FURNISHED. REQUESTED INFORMATION IS ENCLOSED AND DIMENSIONS HAVE BEEN CO-ORDINATED WITH THE OTHER TRADES INVOLVED. CONTRACTOR OR ERECTOR HAS ABSOLUTELY NO PERMISSION TO RE-FABRICATE MATERIAL WHICH WILL RESULT IN BACK CHARGE WITHOUT WRITTEN CONSENT.		PROJECT: LAUNCH COASTER FOR HERSHEY PARK ARCHITECT: SPIERS, McDONALD, BHARUCHA, & ROYAL CONTRACTOR: HERSHEY ENTERTAINMENT & RESORTS		
NO. 1 DATE 10/1/03 CHECKING/APPROVAL		JOB NO. 030796 SHEET NO. 27		